



## STORAGE SYSTEM R 3000

The multifunctional shelving and racking system  
for single-level and multi-tier design

# SSI SCHAEFER – Quality systems you can afford

Fritz Schaefer GmbH, Neunkirchen



## In the beginning there was the LF container

SSI SCHAEFER is a family business built on tradition. In 1937, Fritz Schaefer founded a company for the "manufacture of sheet-metal ware of all kinds".

The range of LF containers, which was produced in a small manual workshop, was expanded to form a complete system – and thus began the company's worldwide success. The system concept revolutionised storage logistics and in the course of decades, a profusion of racking systems of all types

and sizes was developed. Together with more than 2,000 types of containers and boxes which are now available, they save space and time and optimise logistics costs. Intensive co-operation with customers meanwhile led to the development of a know-how which has long profited many branches of trade and industry.

Whether in industry, trade or in the public sector, SSI SCHAEFER products are in use throughout the world as an intelligent and safe solution to storage problems. Quality, innovation and customer-orientation are the guiding

principles by which SSI SCHAEFER now, as then, develop and implement logical product concepts, for the markets of today and tomorrow – at national and international level.

**SSI SCHAEFER – a company with "Solutions That Fit"**



# CONTENTS

## R 3000 SYSTEM APPLICATIONS

PAGE 2 TO 5

### COMPARTMENT SHELVING UNITS

The multi-functional shelving system with individual adjustment to cater for any type of stored item – with modular design. Available in two different field lengths, six frame heights and five shelf depths.



PAGE 6 TO 29

The technology applied .....	6 - . 7
System components.....	8 - . 9
Range of accessories .....	10 - 29

### STORAGE FOR AUTO-BODY PARTS AND OVERSIZED ITEMS

For the storage of oversized and unusually-shaped parts, such as wing sections, silencers, bumpers and windshields. Easy to assemble. Available in three different frame heights and two shelf depths.



PAGE 30 TO 37

The technology applied .....	30 - 31
Range of accessories .....	32 - 37

### SHELVING FOR TYRES, WHEEL RIMS AND OVERSIZED ITEMS

Robustly designed for fast assembly. In modular configuration, easy to adjust to size. Available in three different frame heights and one shelf depth.



PAGE 38 TO 39

The technology applied .....	38 - 39
------------------------------	---------

### MULTI-TIER INSTALLATIONS

Technology applied to maximizing the space available up to ceiling level and thus optimizing your storage facilities. Can be added to existing facilities without problem.

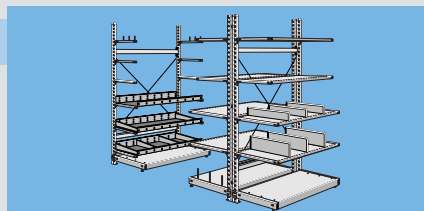


PAGE 40 TO 45

The technology applied .....	40 - 41
System components.....	42 - 43
Lighting systems .....	44 - 45

### FREE-STANDING RACKS

Shelving and auxiliary items designed to provide storage facilities without being tied to any one place. Can also be set up in modular configuration.



PAGE 46 TO 49

The technology applied .....	46 - 47
Range of accessories .....	48 - 49

### STORAGE BINS AND CONTAINERS

SCHAEFER storage bins designed for use with the R 3000 shelving system. With total versatility, suitable for virtually any application.



PAGE 50 TO 55

Range of applications .....	50 - 51
Shelf-mounted storage bins.....	52 - 55



# R 3000 – Unlimited Versatility

This system is suitable for all storage applications. The slot-in frame system configuration provides both flexibility and adjustability. No fixed base or top shelves are required. The extreme versatility of this system makes it suitable for virtually any storage or warehousing

application. Variable-sized storage compartments can be created by moving the fully-adjustable intermediate shelf sections or dividers. Available in bay widths of 994 mm and 1282 mm. Standardized components permit multi-level shelving configurations, taking full advantage of

all space available up to ceiling height. Designed with a maximum load-bearing capacity of 5000 kg, R 3000 shelving units are especially suitable for multi-level configuration with raised walkways and for the storage of heavyweight items.



# R 3000 – Range of Applications

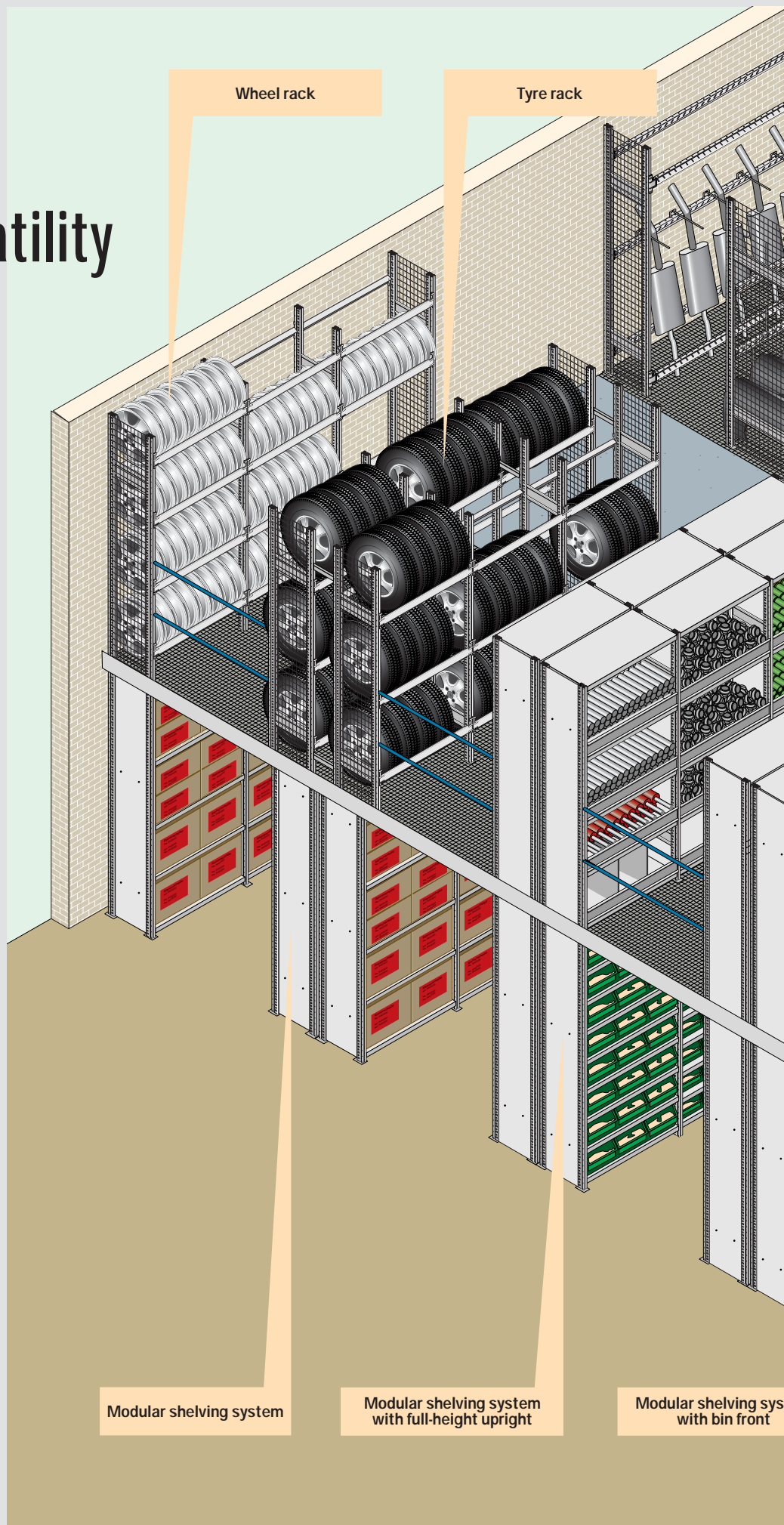




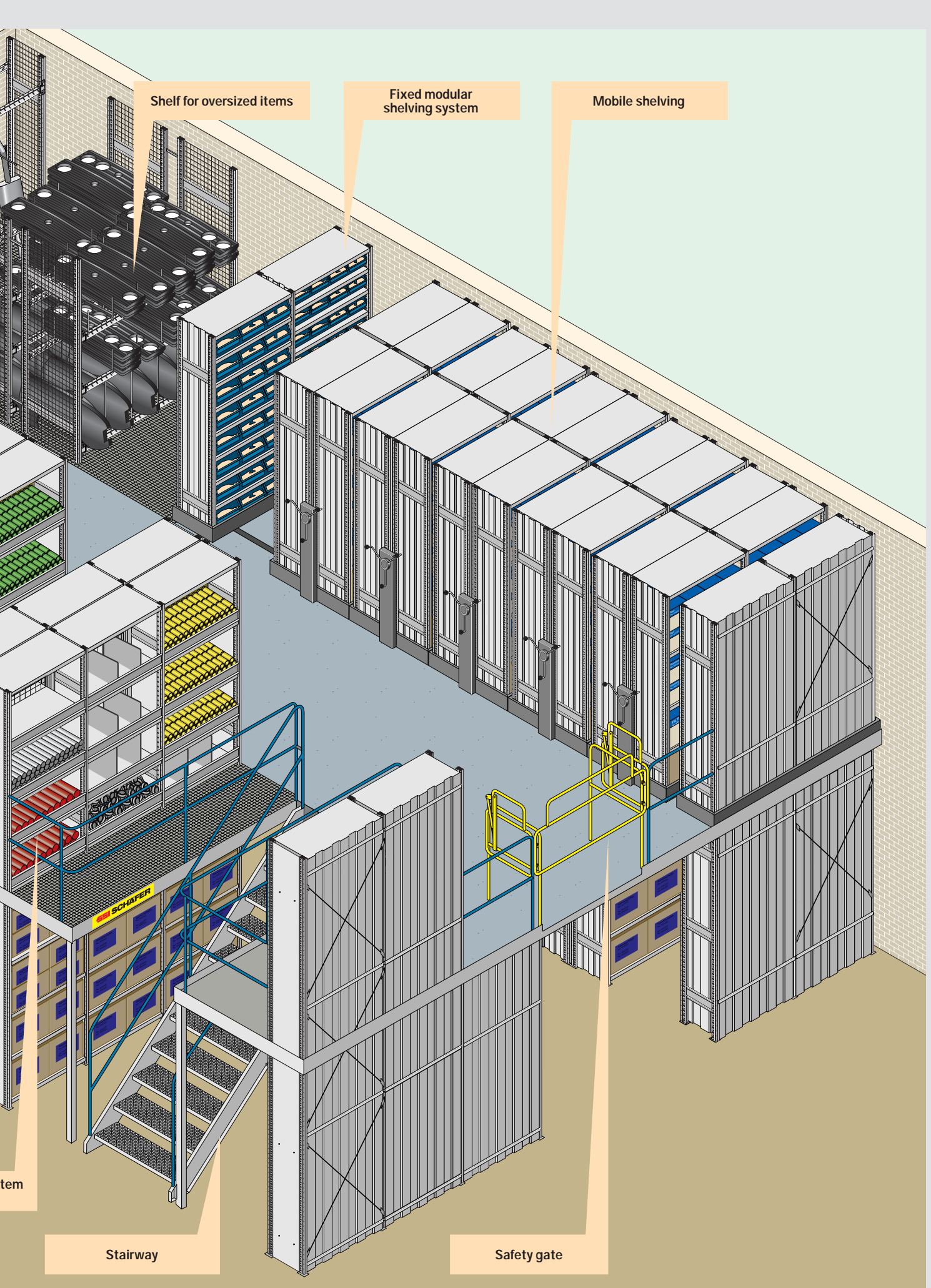
# R 3000 – Unlimited Versatility

R 3000, the multi-function shelving system from SSI SCHAEFER, provides hitherto unheard-of levels of warehousing convenience – thanks to its extremely wide range of applications, which are designed to bridge the classic divide between compartment shelves, wide storage shelves and cantilever-type shelves. This "one type fits all" approach is what provides absolute flexibility and the possibility to expand the system at will. It really is difficult to imagine a more flexible shelf-based warehousing system than the R 3000.

The frame system design of this fully-adjustable shelving system – without fixed base, top or intermediate sections or dividers – provides free configuration of shelf compartments in steps of 53 mm. The tapered grooves on both facing sides of the roll-formed special profile section of the upright provide a firm attachment point for supports and cross-braces. Support lugs on the wide edges permit the attachment of dividing shelves. The stampings on the facing and wide edges are designed to permit the trouble-free and simple attachment of mezzanine support elements.







Shelf for oversized items

Fixed modular shelving system

Mobile shelving

SCHAFER

Stairway

Safety gate

# R 3000 – The multifunctional modular shelving system

The R 3000 modular shelving system is a variable modular shelving system. The frame system configuration provides for flexible bay-size adjustment. The extreme versatility of this system makes it suitable for virtually any storage or warehousing application.

Two different bay widths, six standard frame heights and five shelf depths characterize this shelving system which is suitable for multi-tier constructions and load requirements up to 5000 kg/bay.

The multifunctional R 3000 is designed for when storage requirements involve a modular shelving system with even greater ease of configuration and flexibility.

As with all SSI SCHAEFER shelving systems, the R 3000 is fully adjustable.

Thanks to a wide range of accessories, the system can be optimally adapted to almost any available space.

And of course, matching storage containers and storage trays are also available.



Mesh side panel  
Page 26

Aisle marker  
Page 26

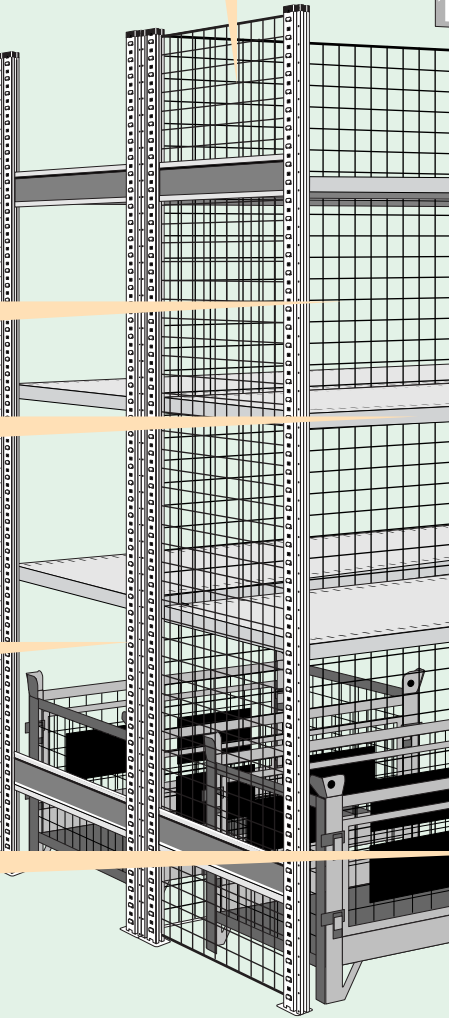
Mesh back panel  
Seite 24

Dividing shelf  
Page 14-15

Support frames  
Page 10-13

Outer side panel with Euro-standard perforation  
Page 22

Frame connector (N.I.)  
Page 25



Full-height divider  
Page 16 and 20

Rear panel  
Page 24

Top cap  
Page 25

Dividing shelf  
Page 14-15

Label holder with label  
Page 26

Shelf containers  
Page 50-55

Storage tray  
Page 26

Free-standing divider  
Page 16 and 20

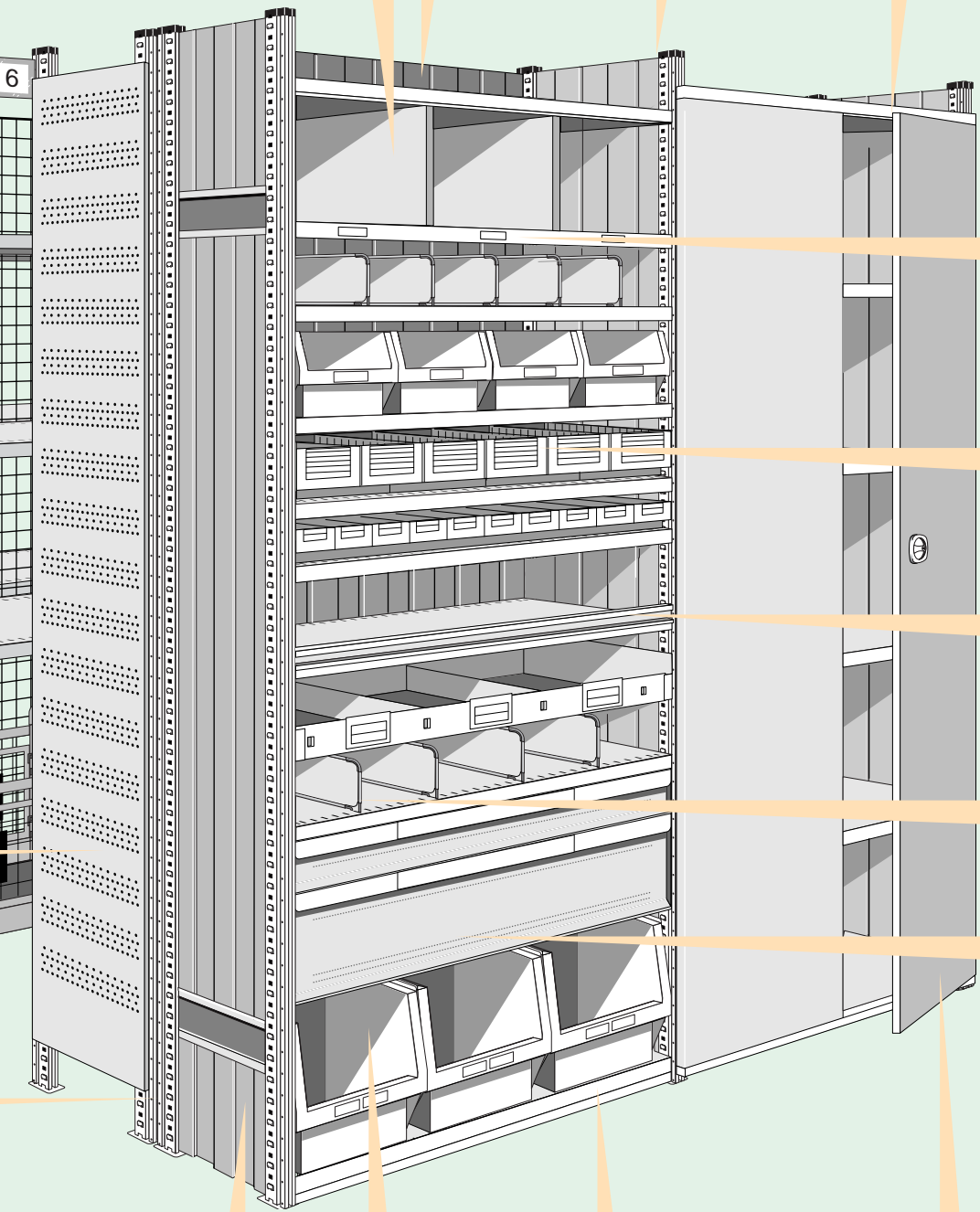
Drawer  
Page 38

Side-panel  
Page 22

Semi-open storage container  
Page 50-55

Plinth-rail  
Page 26

Wing-door set  
Page 27

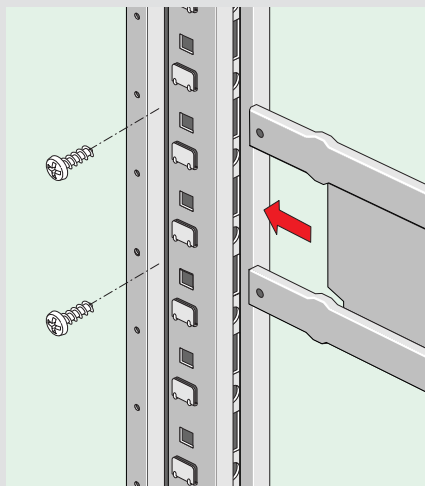
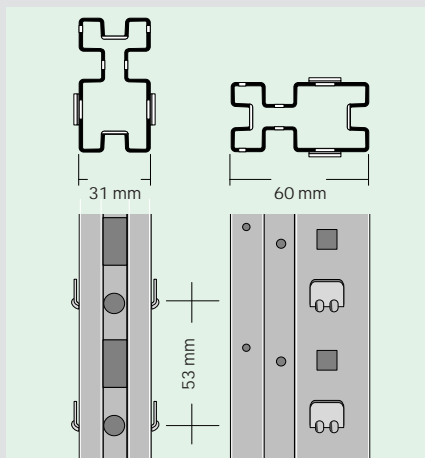


# R 3000 Support frames

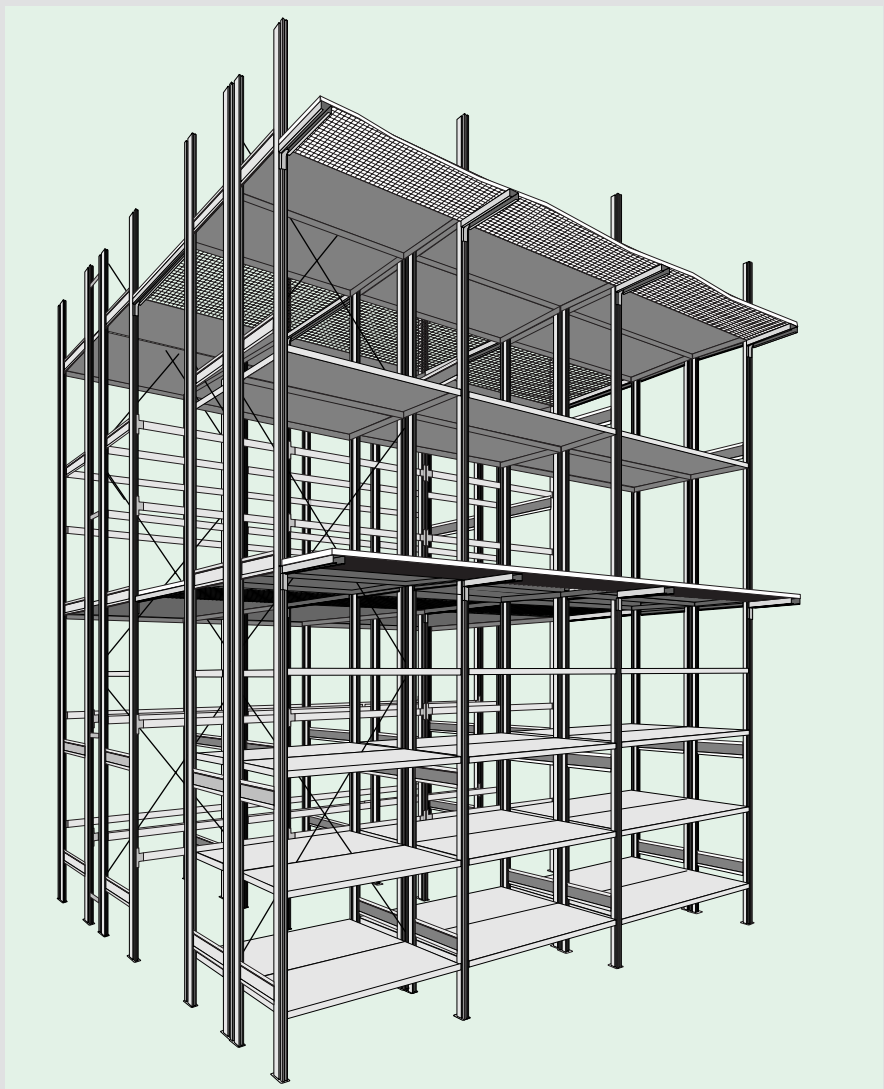
Support frames consist of uprights, frame braces and foot plates. Components are manufactured from high-quality, galvanized sheet steel. Painted finish available on request.

The upright consists of a special roll-formed profile section.

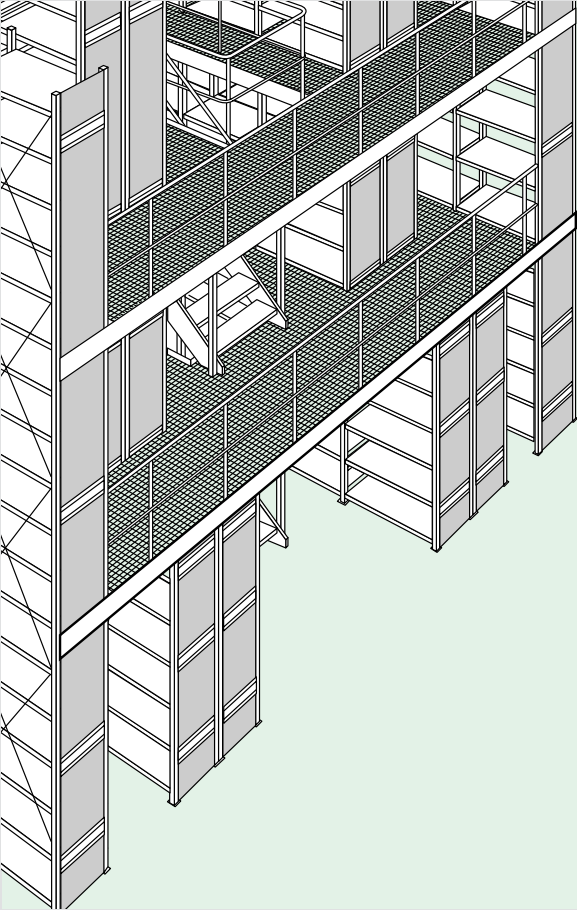
The support lugs provided for the attachment of dividing shelves are arranged at intervals of 53 mm, removing the need for separate base supports. The purpose of the freely-positionable lugs on the facing and wide sides is to allow for the trouble-free and simple attachment of platform support elements.



Assembly of R 3000 support frames



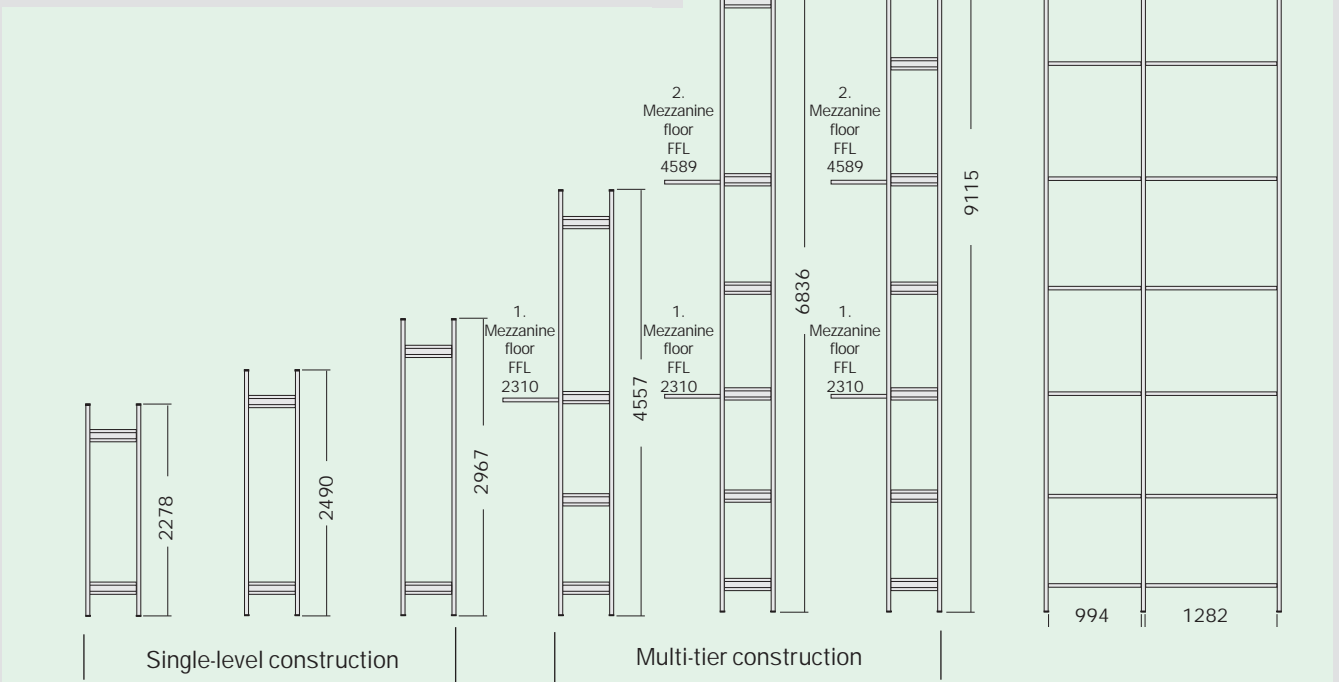
# Perfection down to the last detail



Pre-assembled support frames are supplied in various heights for single-level and multi-tier constructions. They are designed for setup on site, where they are secured in position by means of hanging dividing shelves or tie-bars and cross-braces.

The shelf bays can be adjusted – using dividing shelves or tie-bars – to lengths of 994 and 1282 mm. (The mezzanine floor height is freely-adjustable in steps of 26,5 and 53 mm.)

The standard mezzanine floor height of 2310 mm is designed to ensure that there is sufficient headroom after the installation of such items as sprinklers, air-conditioning equipment, lighting and so on.

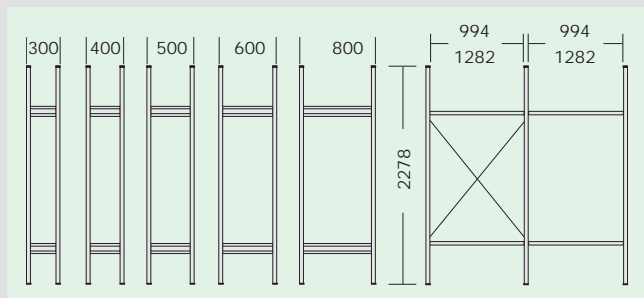


# Support frames for single-level construction

## Frame heights 2278, 2490 and 2967 mm

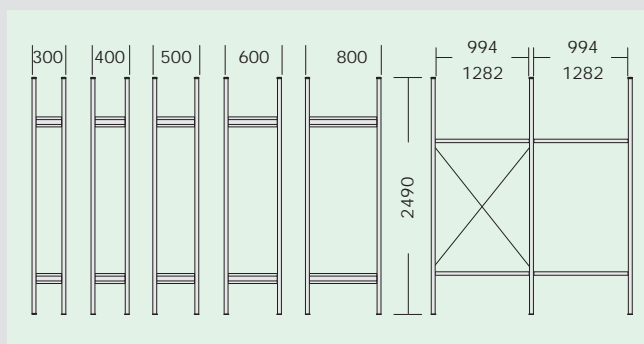
### Support frames, galvanized finish, height 2278 mm

Shelving depth	Max. bay load	Finish	Order No.	Price No.
300 mm	max. 3000 kg	galvanized	RR 33322 V	144750
400 mm	max. 3000 kg	galvanized	RR 34322 V	144760
500 mm	max. 3000 kg	galvanized	RR 35322 V	144770
600 mm	max. 3000 kg	galvanized	RR 36322 V	144780
800 mm	max. 3000 kg	galvanized	RR 38322 V	144790



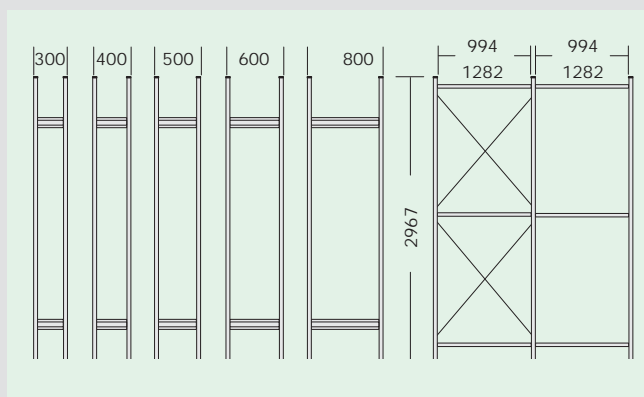
### Support frames, galvanized finish, height 2490 mm

Shelving depth	Max. bay load	Finish	Order No.	Price No.
300 mm	max. 3000 kg	galvanized	RR 33325 V	144050
400 mm	max. 3000 kg	galvanized	RR 34325 V	144060
500 mm	max. 3000 kg	galvanized	RR 35325 V	144070
600 mm	max. 3000 kg	galvanized	RR 36325 V	144080
800 mm	max. 3000 kg	galvanized	RR 38325 V	144090



### Support frames, galvanized finish, height 2967 mm

Shelving depth	Max. bay load	Finish	Order No.	Price No.
300 mm	max. 3000 kg	galvanized	RR 33330 V	144100
400 mm	max. 3000 kg	galvanized	RR 34330 V	144110
500 mm	max. 3000 kg	galvanized	RR 35330 V	144120
600 mm	max. 3000 kg	galvanized	RR 36330 V	144130
800 mm	max. 3000 kg	galvanized	RR 38330 V	144140

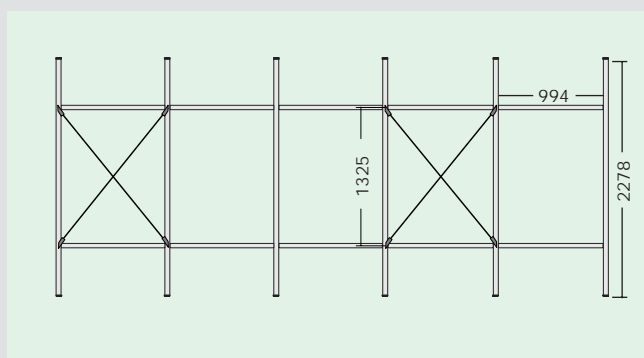


**Support frames in painted finish and other heights available on request.**  
**Note: please consult our planning department if you intend to integrate the shelves into a multi-level system.**

### Cross bracings

To stabilise the shelving bays, a cross brace is required for the first and every following third bay of a row.

Frame height	Bay length	Order No.	Price No.
2278 mm	994 mm	KV 31013	146000
2278 mm	1282 mm	KV 31313	146010

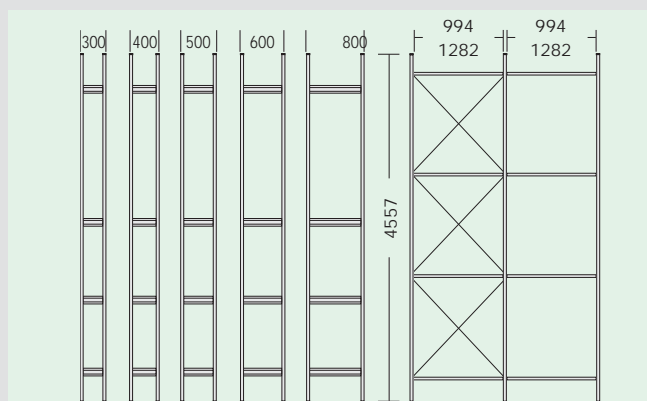


# Support frames for multi-tier construction

## Frame heights 4557, 6836 and 9115 mm

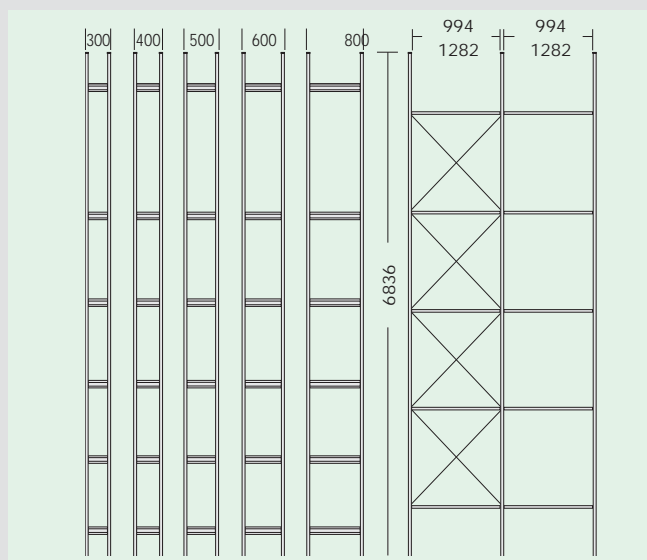
### Support frames, galvanized finish, height 4557 mm

Shelving depth	Max. bay load	Finish	Order No.	Price No.
300 mm	max. 5000 kg	galvanized	RR 33545 V	144600
400 mm	max. 5000 kg	galvanized	RR 34545 V	144610
500 mm	max. 5000 kg	galvanized	RR 35545 V	144620
600 mm	max. 5000 kg	galvanized	RR 36545 V	144630
800 mm	max. 5000 kg	galvanized	RR 38545 V	144640



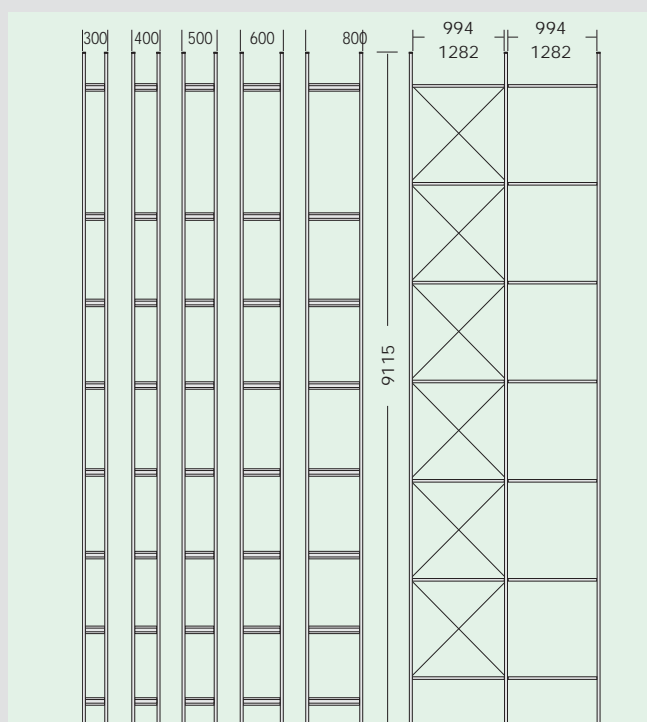
### Support frames, galvanized finish, height 6836 mm

Shelving depth	Max. bay load	Finish	Order No.	Price No.
300 mm	max. 5000 kg	galvanized	RR 33568 V	144650
400 mm	max. 5000 kg	galvanized	RR 34568 V	144660
500 mm	max. 5000 kg	galvanized	RR 35568 V	144670
600 mm	max. 5000 kg	galvanized	RR 36568 V	144680
800 mm	max. 5000 kg	galvanized	RR 38568 V	144690

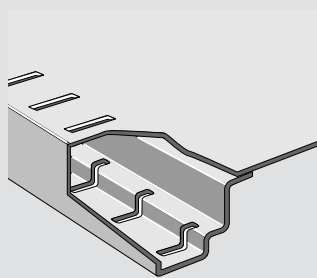
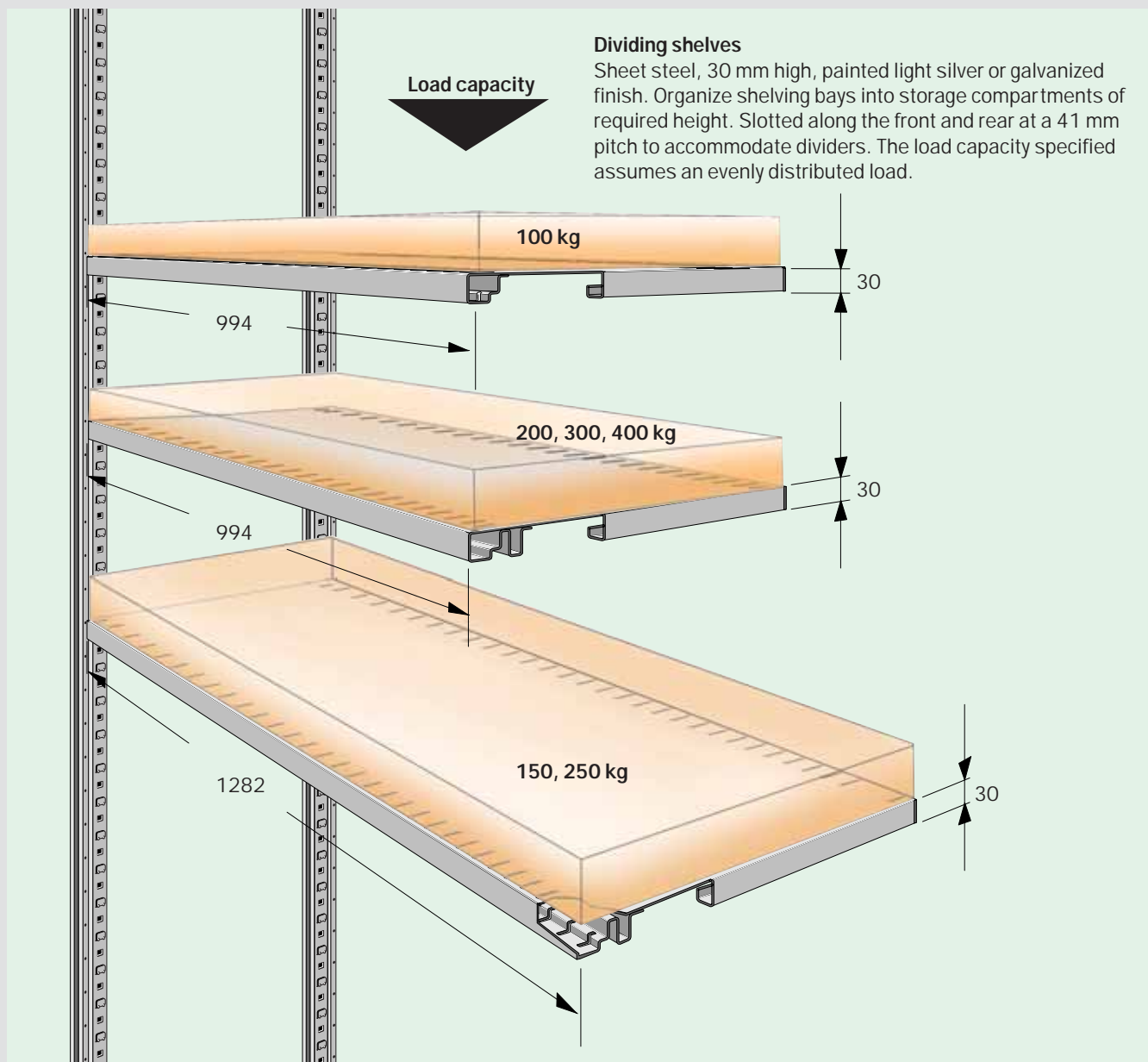


### Support frames, galvanized finish, height 9115 mm

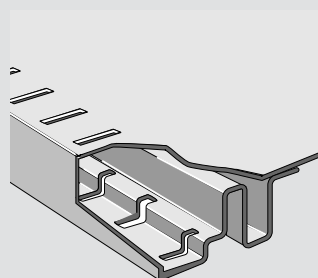
Shelving depth	Max. bay load	Finish	Order No.	Price No.
300 mm	max. 5000 kg	galvanized	RR 33591 V	144700
400 mm	max. 5000 kg	galvanized	RR 34591 V	144710
500 mm	max. 5000 kg	galvanized	RR 35591 V	144720
600 mm	max. 5000 kg	galvanized	RR 36591 V	144730
800 mm	max. 5000 kg	galvanized	RR 38591 V	144740



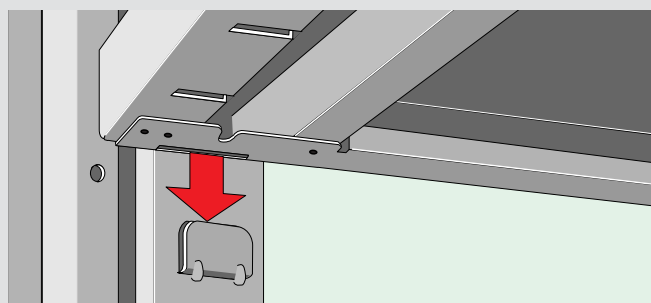
# Adjustable shelves, 30 mm high For bay widths 994 and 1282 mm



Single-edged base



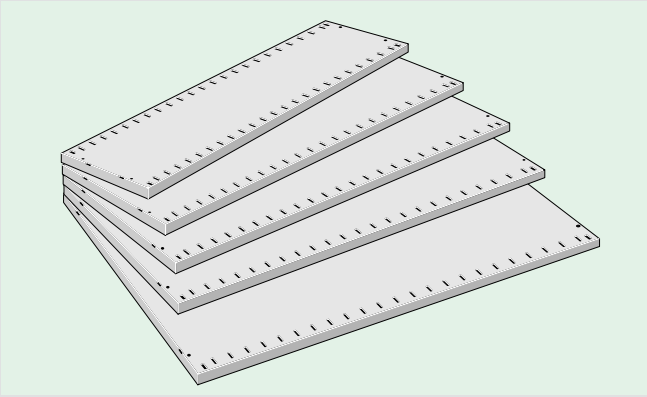
Double-edged base



In the case of the SSI SCHAEFER dividing shelf, the front edge overlaps the side edge. This – along with additional weld-points – makes the base especially resistant to twisting and provides extra carrying strength and stability.

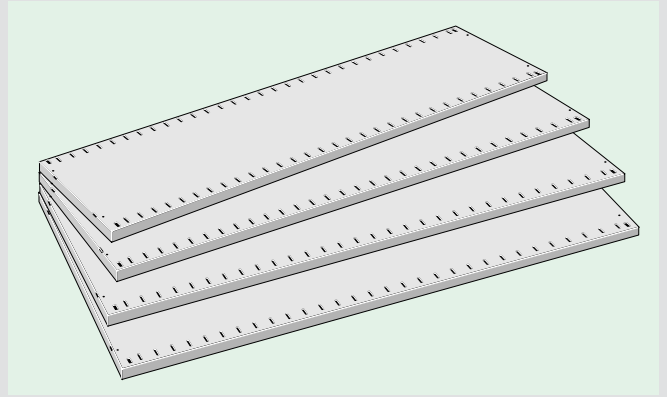


# Adjustable shelves, 30 mm high For bay widths 994 and 1282 mm



**Dividing shelves, sheet steel.**  
Optionally available in painted light silver or galvanized finish.  
Height 30 mm, for bay width 994 mm.

Shelf depth	Max. load	Order No. Price No.		Order No. Price No.	
		Painted		Galvanized	
300 mm	100 kg	ZB 4313 L	27000	ZB 4313 V	27002
400 mm	100 kg	ZB 4413 L	27010	ZB 4413 V	27012
	200 kg	ZB 4423 L	27020	ZB 4423 V	27022
500 mm	100 kg	ZB 4513 L	27030	ZB 4513 V	27032
	200 kg	ZB 4523 L	27040	ZB 4523 V	27042
	300 kg	ZB 4533 L	27050	ZB 4533 V	27052
	400 kg	ZB 4543 L	27060	ZB 4543 V	27062
600 mm	100 kg	ZB 4613 L	27070	ZB 4613 V	27072
	200 kg	ZB 4623 L	27080	ZB 4623 V	27082
	300 kg	ZB 4633 L	27090	ZB 4633 V	27092
	400 kg	ZB 4643 L	27100	ZB 4643 V	27102
800 mm	200 kg	ZB 4823 L	27170	ZB 4823 V	27172
	400 kg	ZB 4843 L	27190	ZB 4843 V	27192



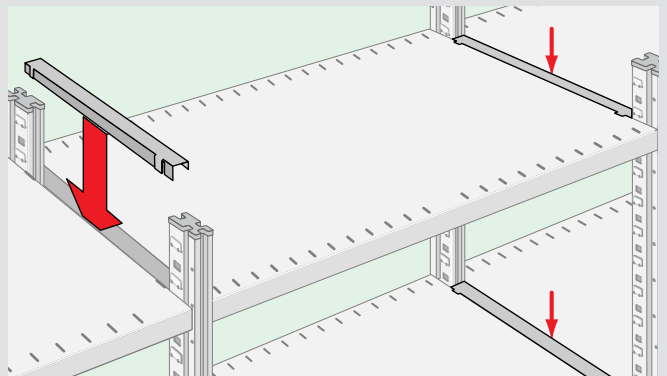
**Dividing shelves, sheet steel.**  
Optionally available in painted light silver or galvanized finish.  
Height 30 mm, for bay width 1282 mm.

Shelf depth	Max. load	Order No. Price No.		Order No. Price No.	
		Painted		Galvanized	
400 mm	150 kg	ZB 9415 L	38100	ZB 9415 V	38102
500 mm	150 kg	ZB 9515 L	38110	ZB 9515 V	38112
	250 kg	ZB 9525 L	38120	ZB 9525 V	38122
600 mm	150 kg	ZB 9615 L	38130	ZB 9615 V	38132
	250 kg	ZB 9625 L	38140	ZB 9625 V	38142
800 mm	250 kg	ZB 9825 L	38280	-	-

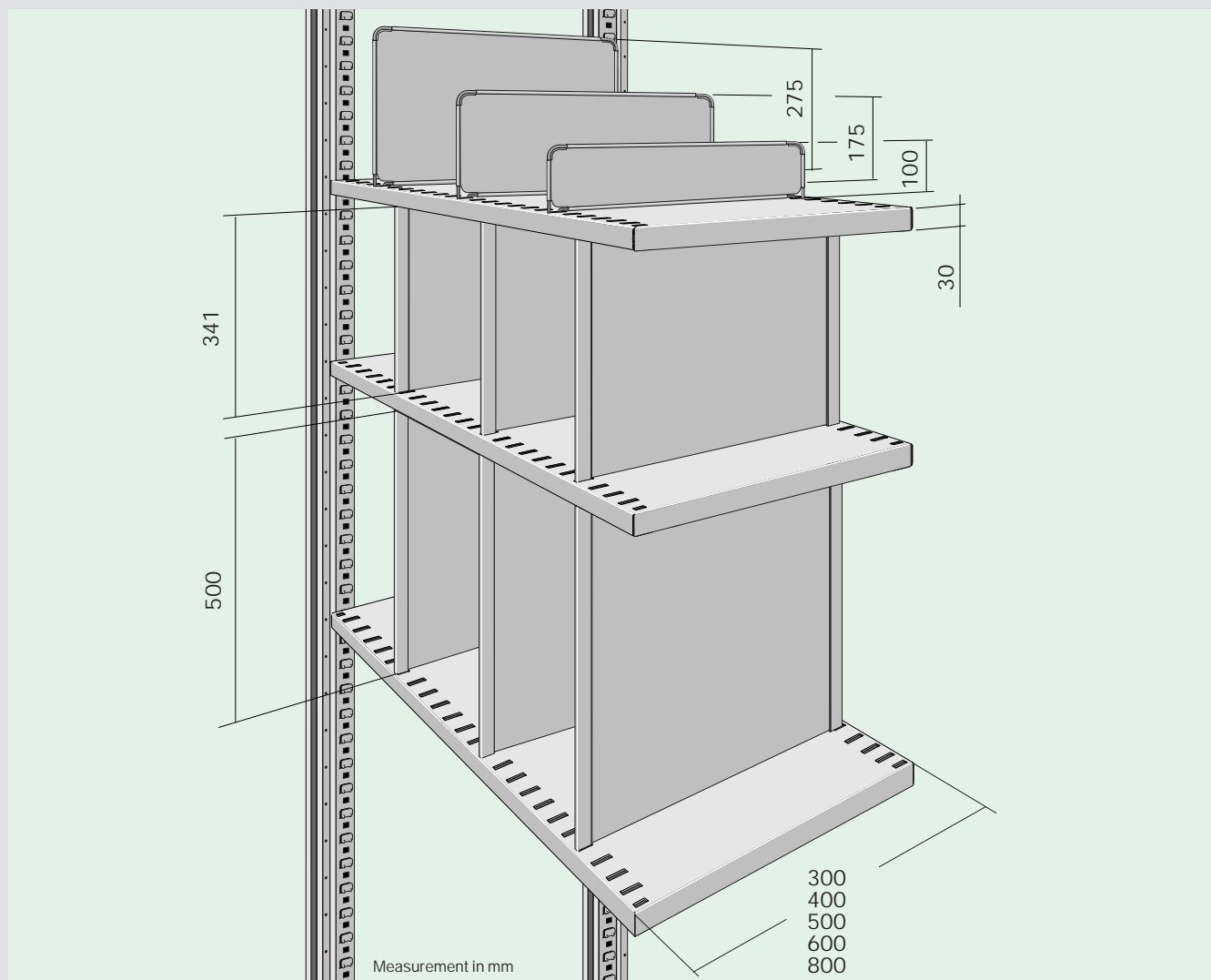
## Bridging strips

Sheet steel, galvanized finish. Designed to cover the gap between the uprights. (Not for use in area of frame braces.)

Shelf depth	Order No.	Price No.
300 mm	BL 4300	28100
400 mm	BL 4400	28110
500 mm	BL 4500	28120
600 mm	BL 4600	28130
800 mm	BL 4800	13470



# Dividers for adjustable shelves, 30 mm high



## Free-standing dividers for 30 mm shelves

Sheet steel, galvanized finish. These dividers are inserted into any shelf slot, regardless of the compartment height, and can also be used in combination with bin fronts.

Shelf depth	Divider height	Order No.	Price No.
300 mm*	100 mm	TRF 4310	27300
	175 mm	TRF 4317	27340
400 mm	100 mm	TRF 4410	27310
	175 mm	TRF 4417	27350
	275 mm	TRF 4427	27380
500 mm	100 mm	TRF 4510	27320
	175 mm	TRF 4517	27360
	275 mm	TRF 4527	27390
600 mm	100 mm	TRF 4610	27330
	175 mm	TRF 4617	27370
	275 mm	TRF 4627	27400
800 mm	100 mm	TRF 4810	39650
	175 mm	TRF 4817	39660

## Full-height dividers for 30 mm shelves

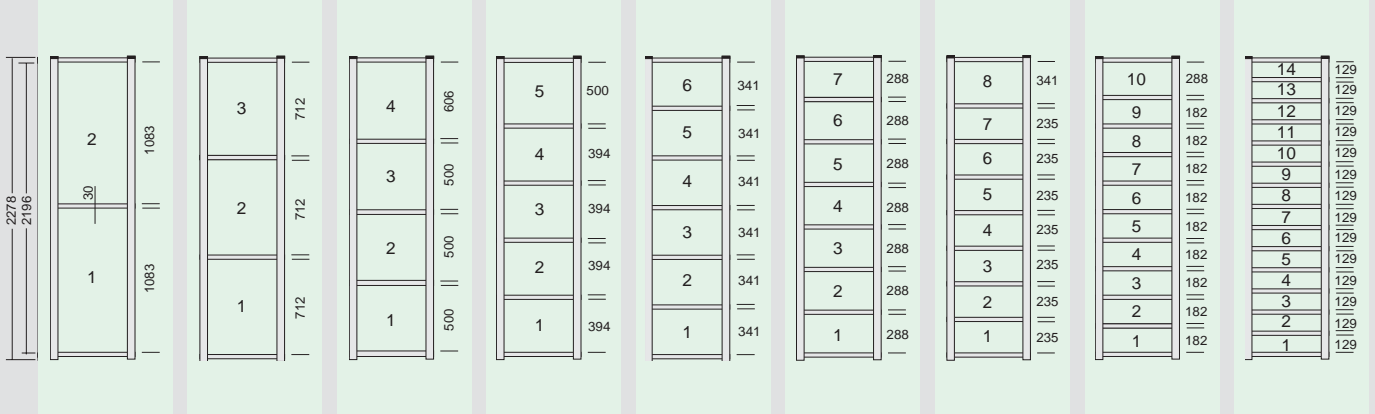
Sheet steel, galvanized finish, for the vertical division of 341 or 500 mm-high shelf compartments. Full-height dividers are inserted into the shelf slots and can be used in combination with bin fronts.

Shelf depth	Divider height	Order No.	Price No.
300 mm*	341 mm	TR 4340	27200
400 mm	341 mm	TR 4440	27210
	500 mm	TR 4450	27240
500 mm	341 mm	TR 4540	27220
	500 mm	TR 4550	27250
600 mm	341 mm	TR 4640	27230
	500 mm	TR 4650	27260

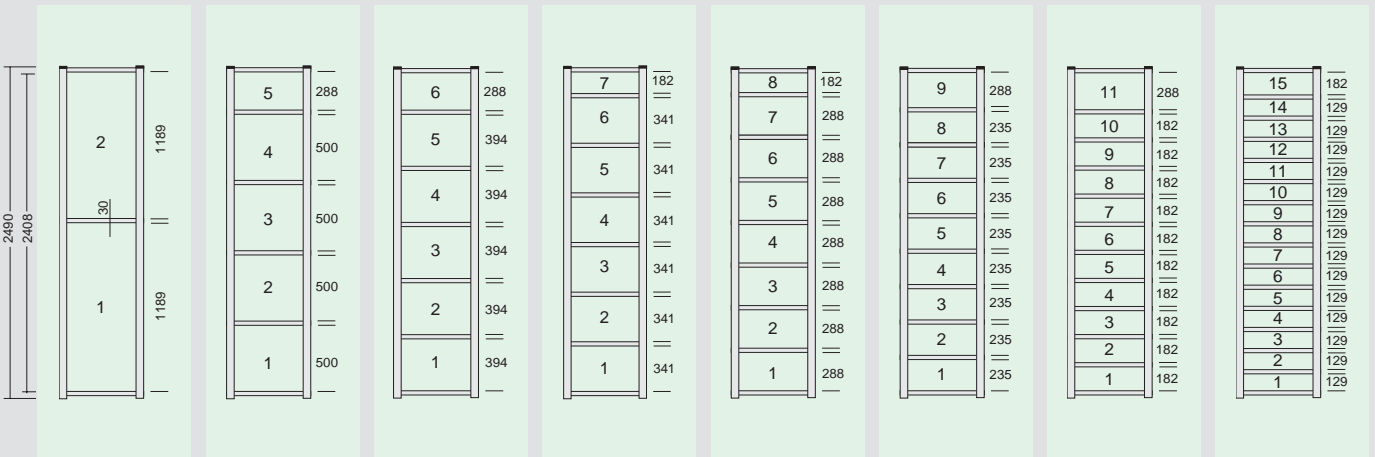
\* for bay width 994 mm

# Configuration of storage bays using 30 mm-high shelves

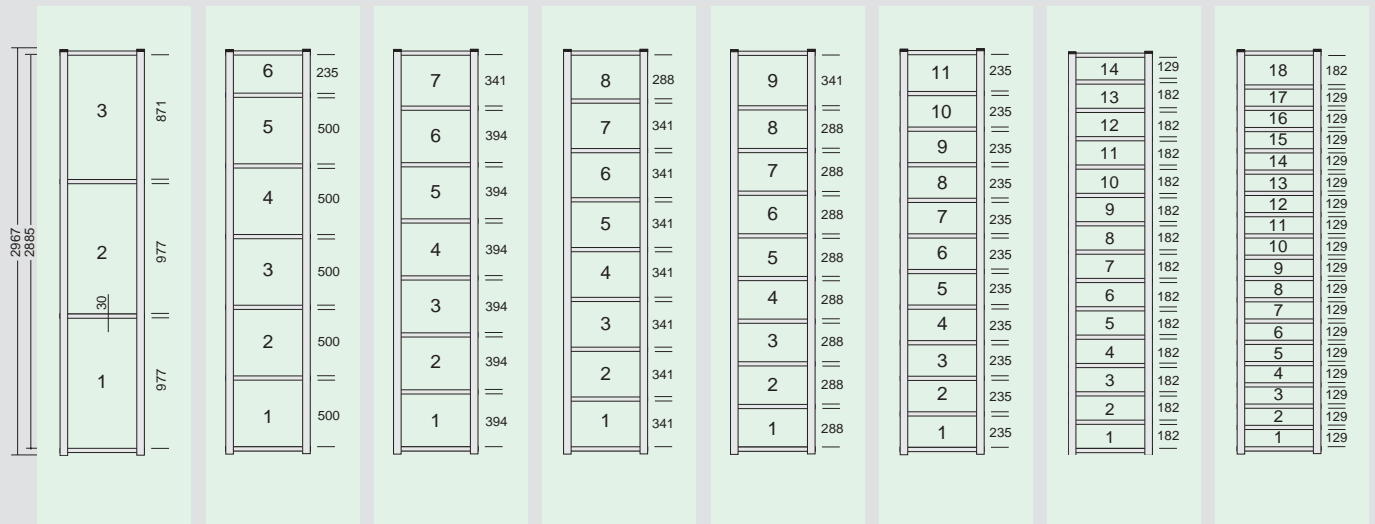
Configuration of storage bays with dividing shelves, for bay height of 2278 mm



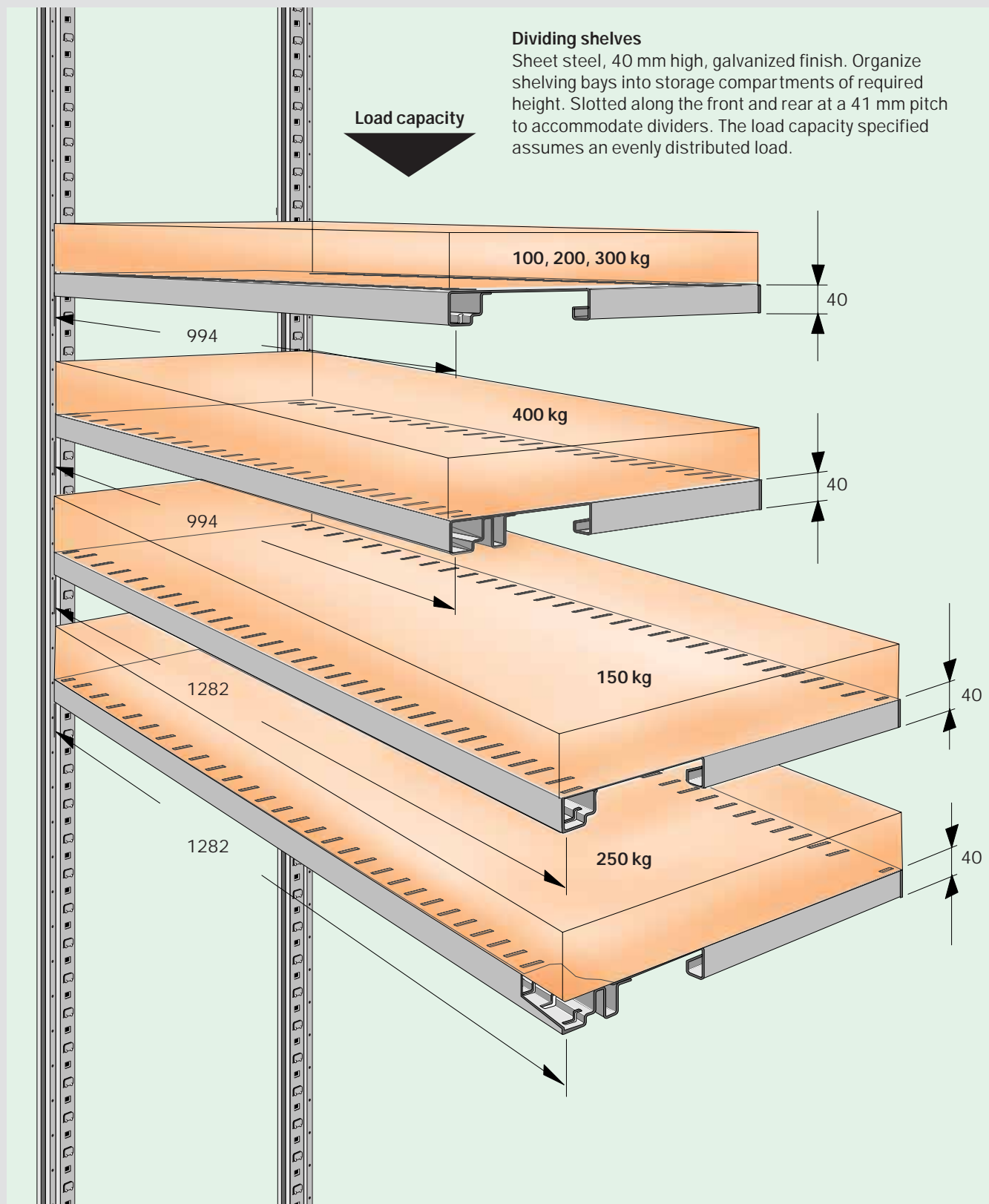
Configuration of storage bays with dividing shelves, for bay height of 2490 mm



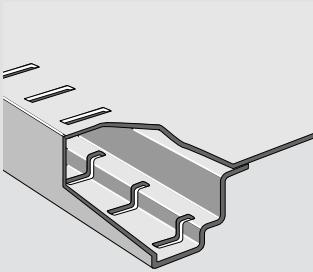
Configuration of storage bays with dividing shelves, for bay height of 2967 mm



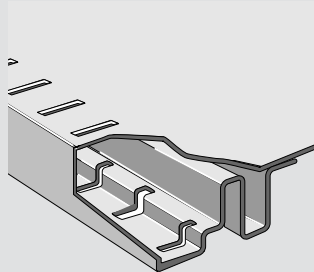
# Adjustable shelves, 40 mm high For bay widths 994 and 1282 mm



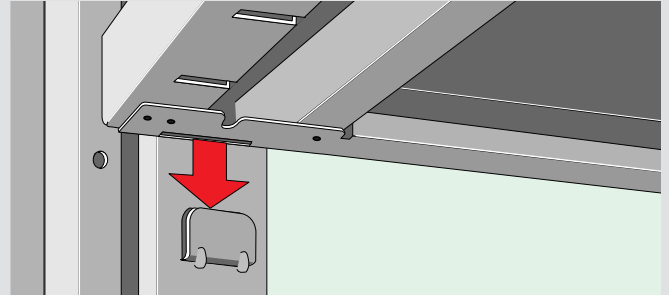
# Adjustable shelves, 40 mm high For bay widths 994 and 1282 mm



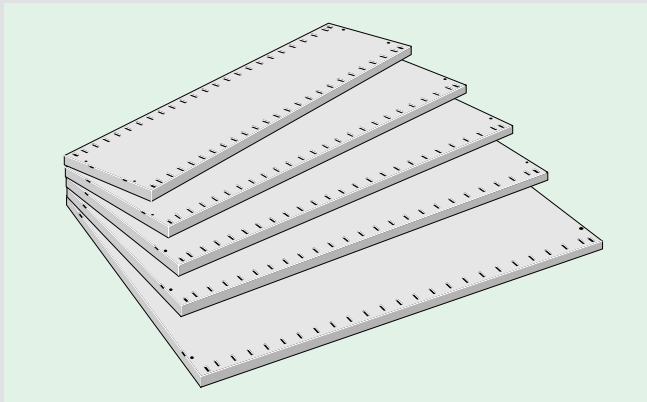
Single-edged base



Double-edged base

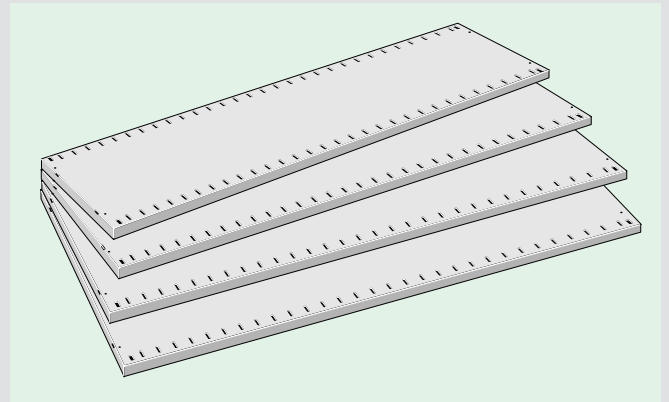


In the case of the SSI SCHAEFER dividing shelf, the front edge overlaps the side edge. This – along with additional weld-points – makes the base especially resistant to twisting and provides extra carrying strength and stability.



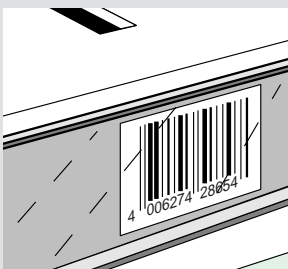
Dividing shelves, sheet steel, galvanized finish.  
Height 40 mm, for bay width 994 mm.

Shelf depth	Max. load	Order No.	Price No.
300 mm	100 kg	ZB 331010 V	145500
400 mm	100 kg	ZB 341010 V	145510
	200 kg	ZB 341020 V	145570
500 mm	100 kg	ZB 351010 V	145520
	200 kg	ZB 351020 V	145580
	300 kg	ZB 351030 V	145640
	400 kg	ZB 351040 V	145660
600 mm	100 kg	ZB 361010 V	145530
	200 kg	ZB 361020 V	145590
	300 kg	ZB 361030 V	145650
	400 kg	ZB 361040 V	145670
800 mm	200 kg	ZB 381020 V	145600
	400 kg	ZB 381040 V	145680

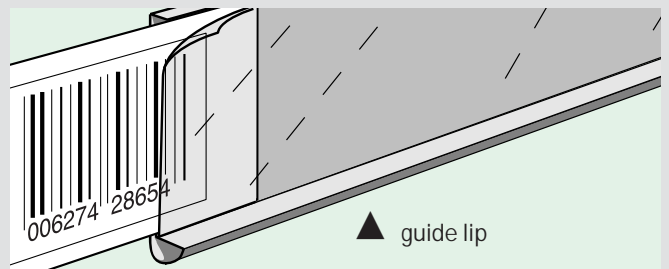


Dividing shelves, sheet steel, galvanized finish.  
Height 40 mm, for bay width 1282 mm.

Shelf depth	Max. load	Order No.	Price No.
400 mm	150 kg	ZB 341315 V	145540
500 mm	150 kg	ZB 351315 V	145550
	250 kg	ZB 351325 V	145610
600 mm	150 kg	ZB 361315 V	145560
	250 kg	ZB 361325 V	145620
800 mm	250 kg	ZB 381325 V	145630

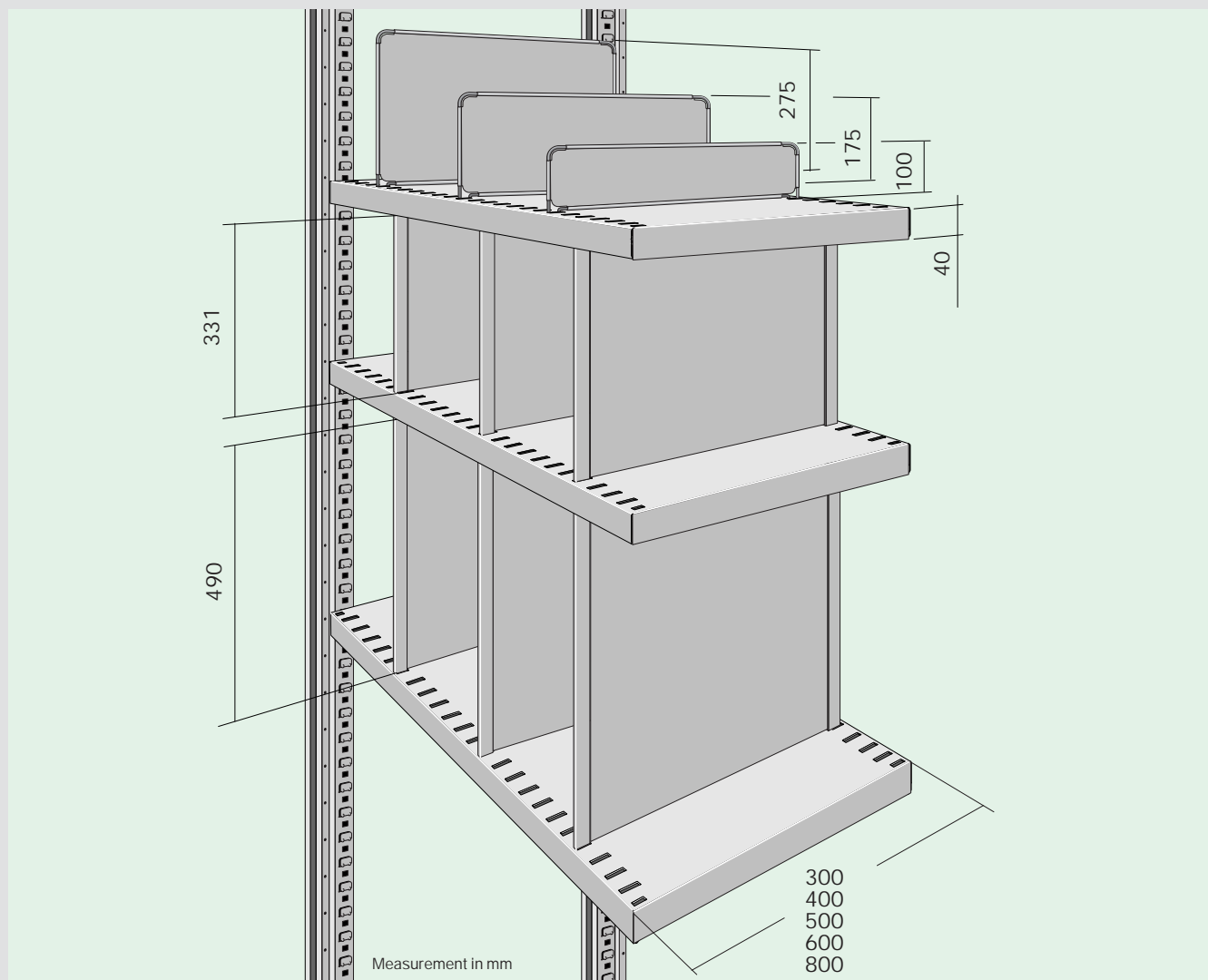


**Label holders**, suitable also for laser and scanner reading of barcode labels.  
See page 26.



▲ guide lip

# Dividers for adjustable shelves, 40 mm high



## Free-standing dividers for 40 mm shelves

Sheet steel, galvanized finish. These dividers are inserted into any shelf slot, regardless of the compartment height, and can also be used in combination with bin fronts.

Shelf depth	Divider height	Order No.	Price No.
300 mm*	100 mm	TRF 4310 G	273001
	175 mm	TRF 4317 G	273401
400 mm	100 mm	TRF 4410 G	273101
	175 mm	TRF 4417 G	273501
	275 mm	TRF 4427 G	273801
500 mm	100 mm	TRF 4510 G	273201
	175 mm	TRF 4517 G	273601
	275 mm	TRF 4527 G	273901
600 mm	100 mm	TRF 4610 G	273301
	175 mm	TRF 4617 G	273701
	275 mm	TRF 4627 G	274001
800 mm	100 mm	TRF 4810 G	396501
	175 mm	TRF 4817 G	396601

## Full-height dividers for 40 mm shelves

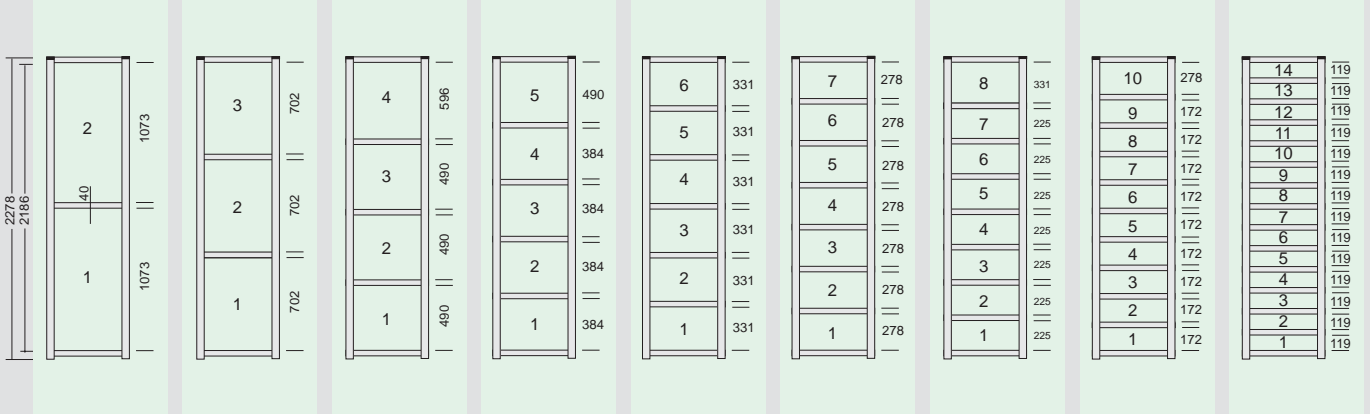
Sheet steel, galvanized finish, for the vertical division of 331 or 490 mm-high shelf compartments. Full-height dividers are inserted into the shelf slots and can be used in combination with bin fronts.

Shelf depth	Divider height	Order No.	Price No.
300 mm*	331 mm	TR 3330	147000
400 mm	331 mm	TR 3430	147010
	490 mm	TR 3450	147020
500 mm	331 mm	TR 3530	147030
	490 mm	TR 3550	147040
600 mm	331 mm	TR 3630	147050
	490 mm	TR 3650	147060

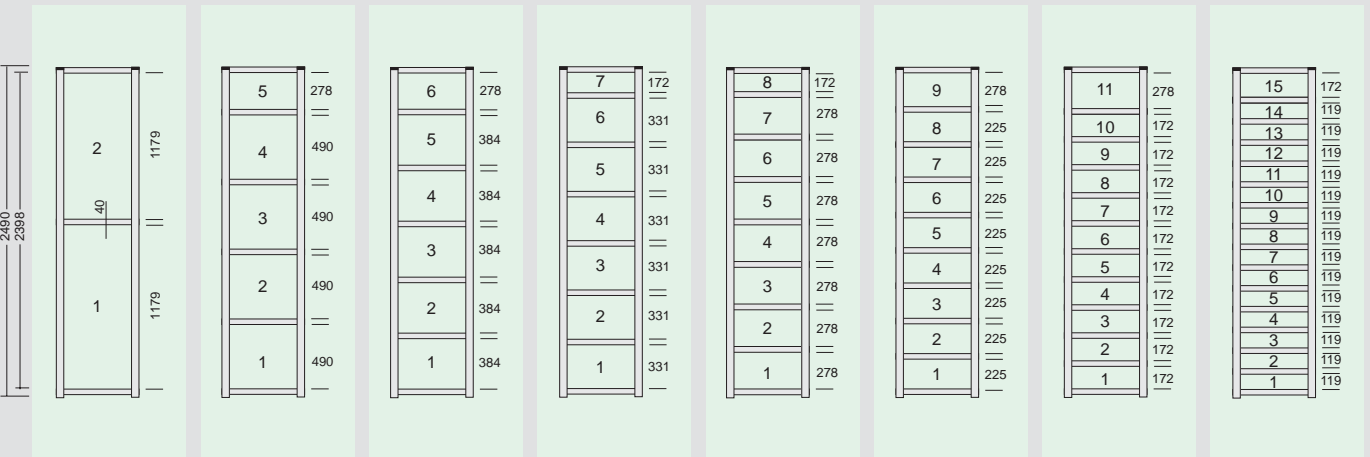
\* for bay width 994 mm

# Configuration of storage bays using 40 mm-high shelves

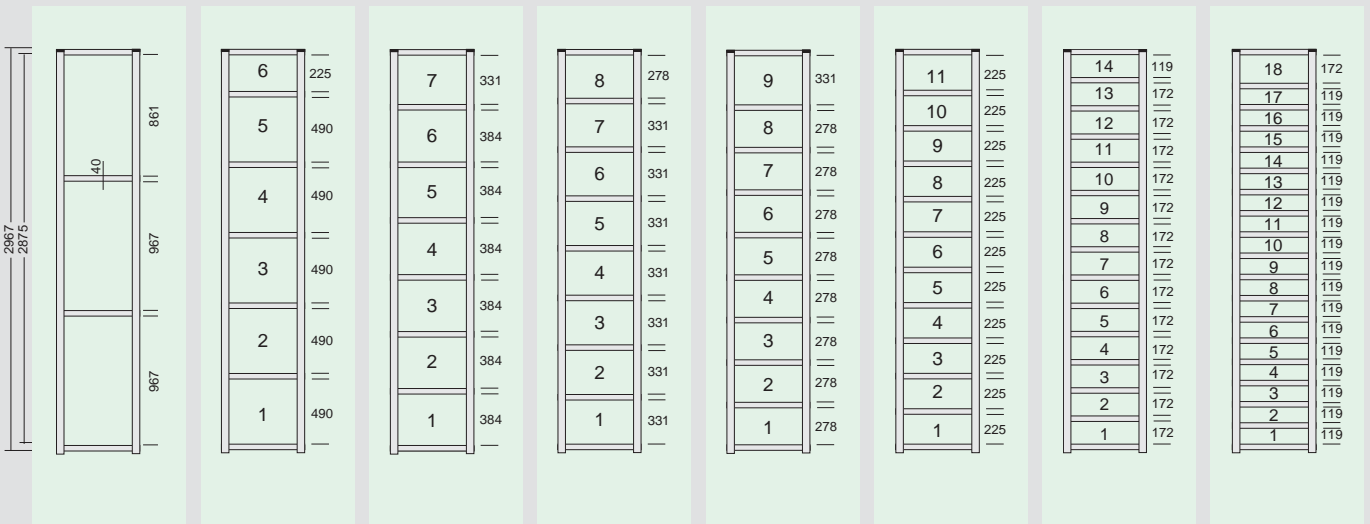
Configuration of storage bays with dividing shelves, for bay height of 2278 mm



Configuration of storage bays with dividing shelves, for bay height of 2490 mm



Configuration of storage bays with dividing shelves, for bay height of 2967 mm



# Solid side-panels

## Side-panel

Sheet steel, galvanized finish. The side-panel is placed between the uprights against the frame braces, and fixed between the frame brace and dividing shelves.

### Frame height 2278 mm

Shelf depth	Finish	Order No.	Price No.
300 mm	galvanized	SWI 3322	146650
400 mm	galvanized	SWI 3422	146660
500 mm	galvanized	SWI 3522	146670
600 mm	galvanized	SWI 362	146680
800 mm	galvanized	SWI 3822	146690

### Frame height 2490 mm

Shelf depth	Finish	Order No.	Price No.
300 mm	galvanized	SWI 3325	146150400
400 mm	galvanized	SWI 3425	146160
500 mm	galvanized	SWI 3525	146170
600 mm	galvanized	SWI 3625	146180
800 mm	galvanized	SWI 3825	146190

### Frame height 2967 mm

Shelf depth	Finish	Order No.	Price No.
300 mm	galvanized	SWI 3330	146200
400 mm	galvanized	SWI 3430	146210
500 mm	galvanized	SWI 3530	146220
600 mm	galvanized	SWI 3630	146230
800 mm	galvanized	SWI 3830	146240

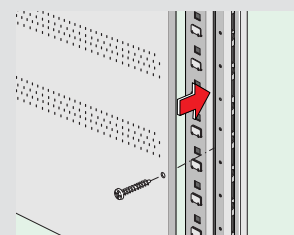
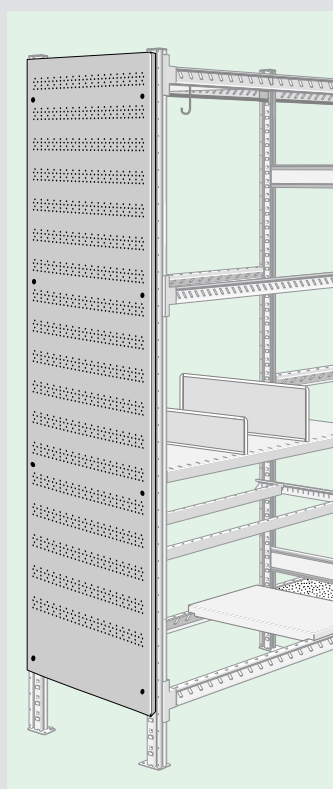
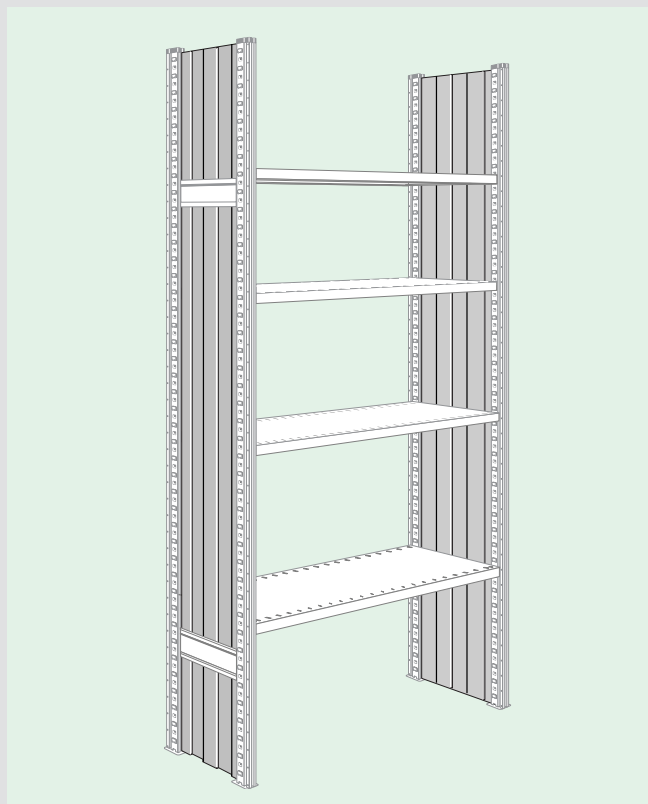
## Outer side-panels, perforated

Sheet steel, galvanized finish. Panel is located into recessed fold of uprights and fastened with self-tapping screws. Height 2000 mm.

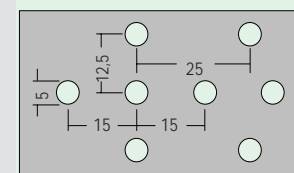
Shelf depth	Order No.	Price No.
400 mm	SWA 3420	146260
500 mm	SWA 3520	146270
600 mm	SWA 3620	146280

## Panel hooks

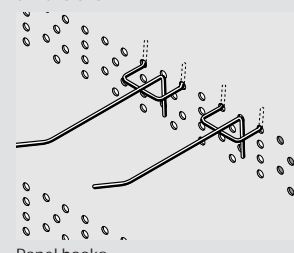
Order No.	Price No.
LPH 100	26790



Fixed to outer frame with screws



Euro-standard perforations, dimensions in mm



Panel hooks



# Solid back-panels

## Rear panel (outer)

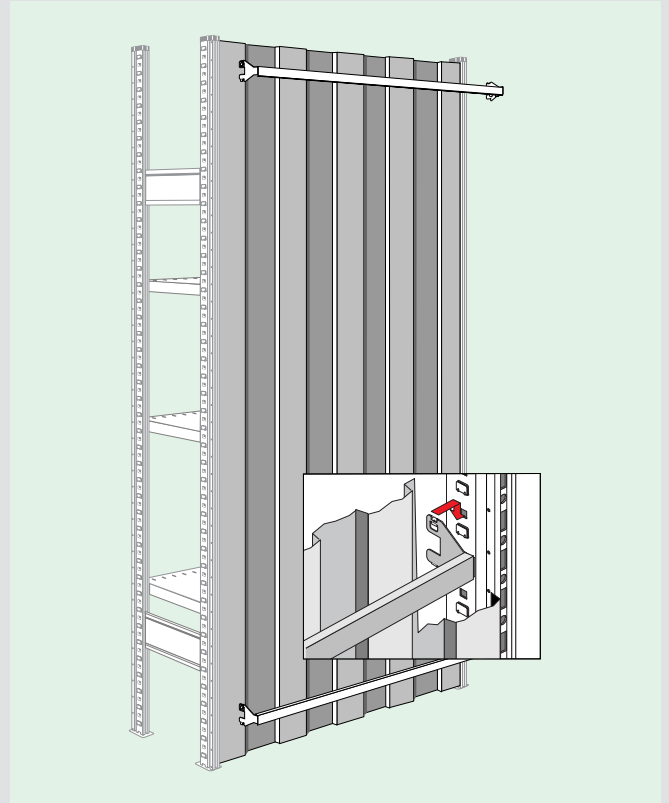
Sheet steel, galvanized finish. The 3-section rear panels are placed against the dividing shelves. The retaining rails are pushed onto the rear panel sections and locked into the lugs in the upright.

### Bay length 994 mm, 3-section, incl. retaining rails

Frame height	Order No.	Price No.
2278 mm	RWA 31022	146700
2490 mm	RWA 31025	146520
2967 mm	RWA 31030	146530

### Bay length 1282 mm, 3-section, incl. retaining rails

Frame height	Order No.	Price No.
2278 mm	RWA 31322	146710
2490 mm	RWA 31325	146550
2967 mm	RWA 31330	146560



## Rear panel (inner)

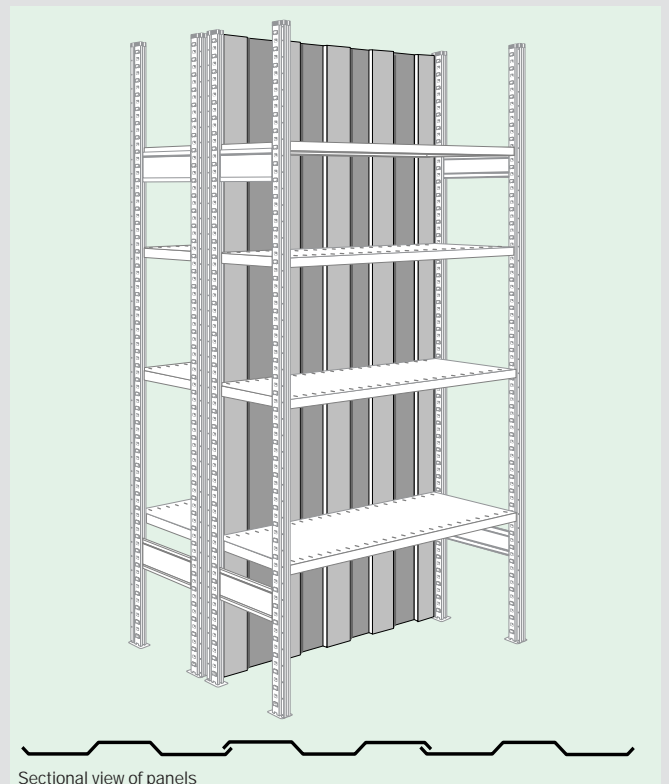
Sheet steel, galvanized finish. Three-section panels for fitting between two shelving units. The sections are slotted into one another and held in place by the dividing shelves.

### Bay length 994 mm, 3-section

Frame height	Order No.	Price No.
2278 mm	RWI 31022	146720
2490 mm	RWI 31025	146460
2967 mm	RWI 31030	146470

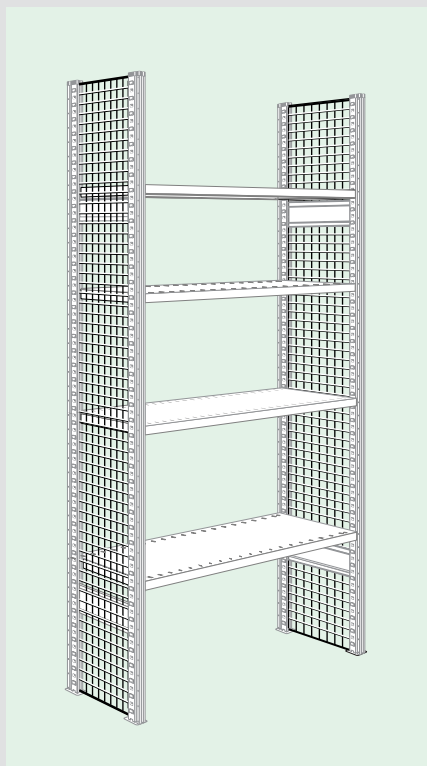
### Bay length 994 mm, 3-section

Frame height	Order No.	Price No.
2278 mm	RWI 31322	146730
2490 mm	RWI 31325	146490
2967 mm	RWI 31330	146500



Sectional view of panels

# Mesh side- and back-panels



## Mesh side-panels

Steel mesh, painted light silver. Attached to the uprights by plastic clips. Incl. fittings.

### Frame height 2278 mm

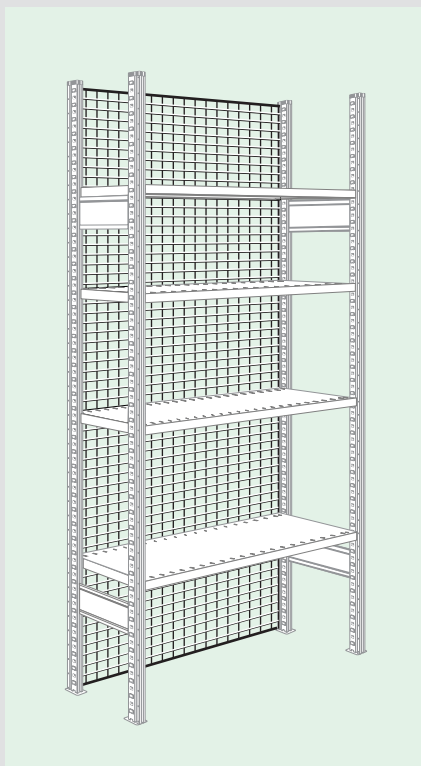
Shelf depth	Order No.	Price No.
300 mm	SWG 3322	146740
400 mm	SWG 3422	146750
500 mm	SWG 3522	146760
600 mm	SWG 3622	146770
800 mm	SWG 3822	146780

### Frame height 2490 mm

Shelf depth	Order No.	Price No.
300 mm	SWG 3325	146350
400 mm	SWG 3425	146360
500 mm	SWG 3525	146370
600 mm	SWG 3625	146380
800 mm	SWG 3825	146390

### Frame height 2967 mm, 2-section

Shelf depth	Order No.	Price No.
300 mm	SWG 3330	146400
400 mm	SWG 3430	146410
500 mm	SWG 3530	146420
600 mm	SWG 3630	146430
800 mm	SWG 3830	146440



## Mesh back-panels

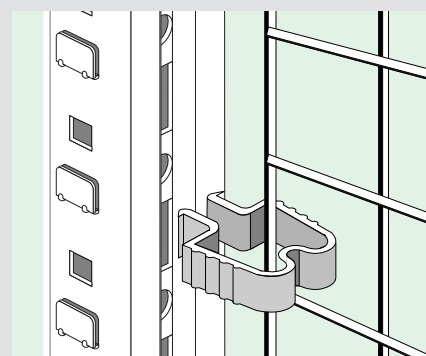
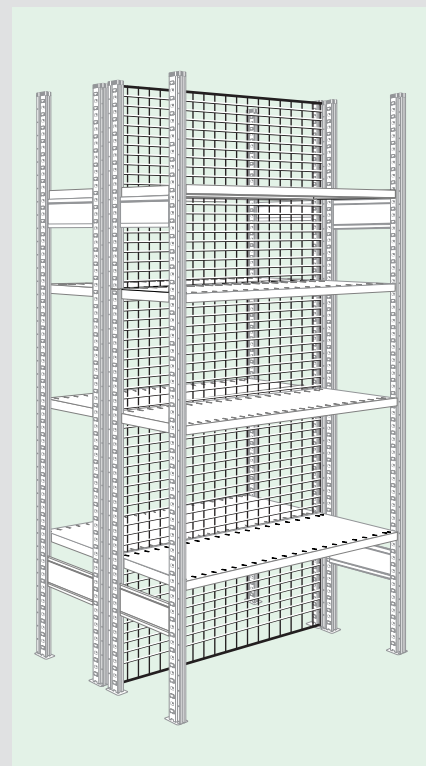
Steel mesh, painted light silver. Attached to the uprights by special spring clips. Incl. fittings.

### Bay length 994 mm

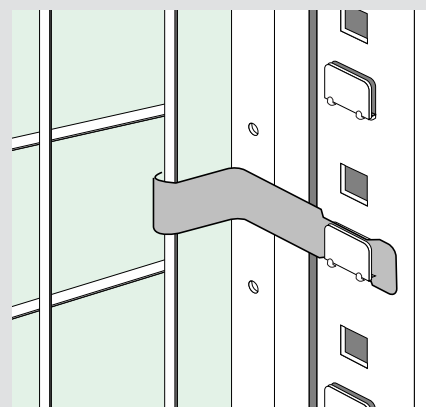
Frame height	Order No.	Price No.
2278 mm	RWG 31022	146790
2490 mm	RWG 31025	146580
2967 mm / pair	RWG 31030	146590

### Bay length 1282 mm

Frame height	Order No.	Price No.
2278 mm	RWG 31322	146800
2490 mm	RWG 31325	146610
2967 mm / pair	RWG 31330	146620



Attachment of mesh side-panel



Attachment of mesh rear-panel

**Hardboard side- and back-walls can be supplied to order**

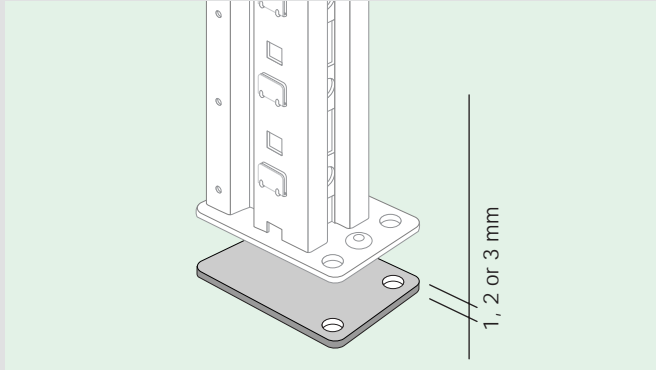
# Floor shims, floor fixings, frame connectors, top caps

## Floor shims

Sheet steel, galvanized finish for levelling minor unevenness of floors.

	Order No.	Price No.
Floor shim 1 mm	UP 3001	147450
Floor shim 2 mm	UP 3002	147070
Floor shim 3 mm	UP 3003	147460

Height adjustable feet can be supplied to order.

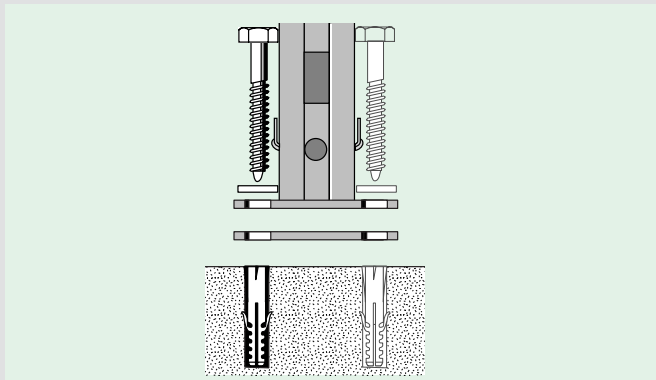


## Floor fixings BF 3000

For securing upright frames to floor, with bolt, plug and washer.

	Order No.	Price No.
Floor fixings BF 3000	BF 3000	145710

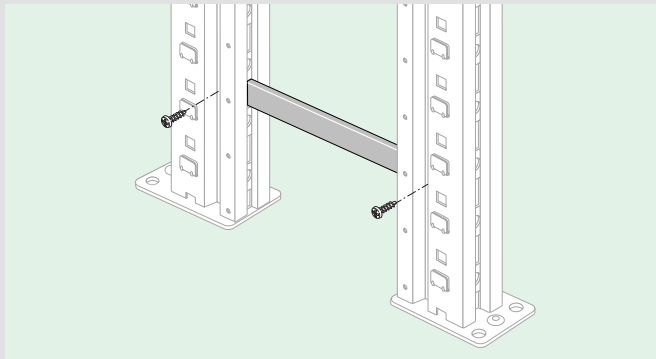
**Floor fixings:**  
 1 428 re io or er c  
 e c ore o e oor i r io e ee e i  
 e ei o er or e e e i re er 15.



## Frame connector

Sheet steel, galvanized finish. For joining two back-to-back shelf bays. *Note:* A frame clearance of 6 mm is required for the fitting of system components such as cross bracings, back-panels, etc. Incl. fittings.

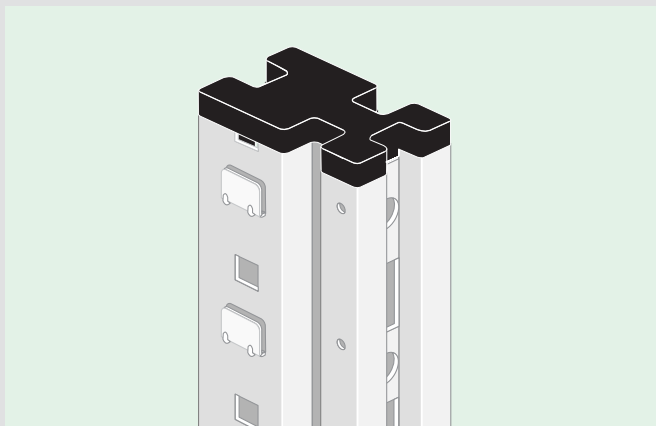
Frame clearance	Order No.	Price No.
6 mm	RV 3006	147080
30 mm	RV 3030	147090
50 mm	RV 3050	147100
100 mm	RV 3100	147110
300 mm	RV 3300	147120



## Top cap

Hard-wearing black plastic, used for sealing off tops of uprights.

	Order No.	Price No.
Top cap	AK 3000	147130

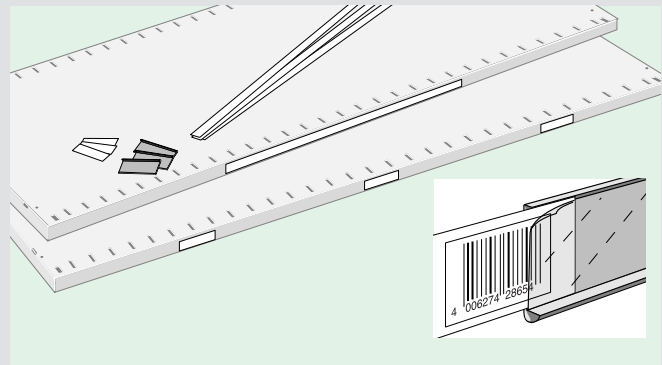


# Label holders, aisle markers, bin fronts, back stop rails, plinth rails

## Label holders

Self adhesive, to identify storage locations.

Holder length	packing unit	Order No.	Price No.
85 mm	1 = 50 each	EH 4085	27800
135 mm	1 = 50 each	EH 4135	27810
490 mm	1 = 50 each	EH 4490	27820



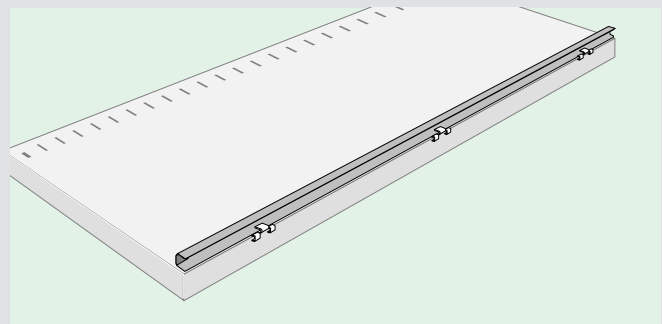
## Label

Label length	packing unit	Order No.	Price No.
85 mm	1 = 100 each	EHE 4085	28050
135 mm	1 = 100 each	EHE 4135	28060
490 mm	1 = 100 each	EHE 4490	28070

## Back stops rails

Sheet steel, galvanized finish. Designed to prevent items such as shelf bins falling off back of shelf, incl. 3 clips.

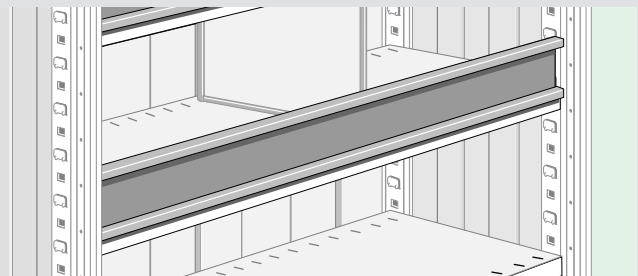
Bay length	Order No.	Price No.
994 mm	DSL 4102	27990
1282 mm	DSL 9131	38190



## Bin fronts

Sheet steel, galvanized finish. For the storage of small, loose items. Especially effective when fitted along with separators, center, rear and side-walls, and bridging strips.

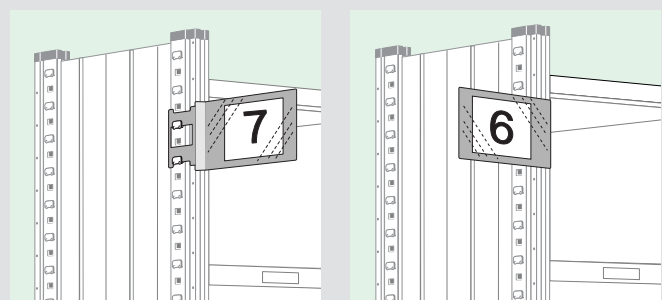
Bay length	Strip-height	Order No.	Price No.
994 mm	40 mm	VL 4001	27760
994 mm	85 mm	VL 4000	27750
1282 mm	40 mm	VL 9001	37850
1282 mm	85 mm	VL 9000	37860



## Aisle markers

For marking picking aisles or main traffic aisles, with transparent plastic cover and removable labels.

Aisle marker	1 packing unit = 10/each	Order No.	Price No.
Aisle markers (picking aisles)		GBQ	145720
Aisle markers (main aisles)		GBL	145730



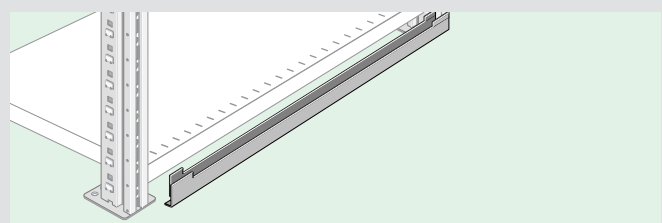
Aisle marker for picking aisles

Aisle marker for main traffic

## Plinth-rail

Sheet steel, galvanized finish, designed to cover the gap between the lowest dividing shelf (attached to the fixing lugs) and the floor.

Bay length	Order No.	Price No.
994 mm	SO 7102	28860
1282 mm	SO 7132	28900



# Oil collection systems, wing-door sets

## Storage of substances hazardous to water and flammable materials

Designed with a drip tray securely located at the lowest storage level. Manufactured in accordance with the Directive of the Ministry for the Environment for "Steel drip trays with a capacity of up to 1000 litres", of 3 mm gauge ST 37-2 steel, galvanized finish, welded on both sides, liquid-proof and type-approved by the Technical Inspection Service of the German state of the Rhineland. Provided with sloping front edge to catch drips. Fitted with mesh panel shelves with a load capacity of 200 kg, with the storage surface reduced by approximately 60 mm in the direction of the shelf depth to ensure optimum collection of downwards-flowing hazardous substances. Shelves 30 mm high with 10 mm high stop edge all round. Note that shelves or mesh panel shelves are fitted in the area where the cross bracing is attached.

*c i e e e e o r e o i e  
c e e r .*

Drip tray			Order No.	Price No.
Shelf depth	L x D x H mm	Holding capacity		
400 mm	987 x 400 x 100	30 litres	OAW 4400	98190
500 mm	987 x 500 x 100	38 litres	OAW 4500	98150
600 mm	987 x 600 x 100	46 litres	OAW 4600	98160

Mesh-panel shelf			Order No.	Price No.
Shelf depth	L x D x H mm	Max. load		
400 mm	993 x 345 x 30	200 kg	G 4400	97980
500 mm	993 x 445 x 30	200 kg	G 4500	98170
600 mm	993 x 545 x 30	200 kg	G 4600	98180

## Two-wing door sets

Bay length 994 mm. Any open shelf bay can be converted into a lockable cabinet at a later date.  
Höhe 2111 mm.

**For fitting of door sets a bottom dividing shelf of 30 mm height is required within the designated storage module.**

Note: Side- and back-panels are optional extras.

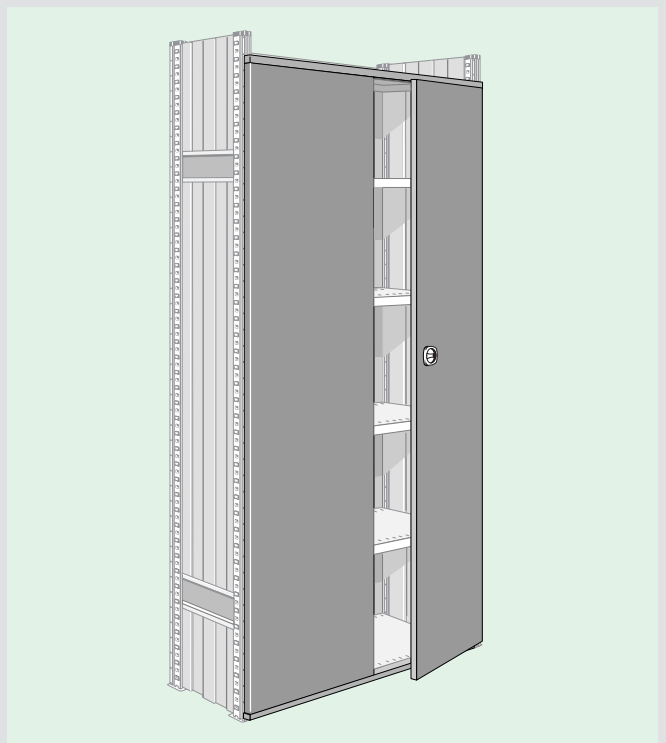
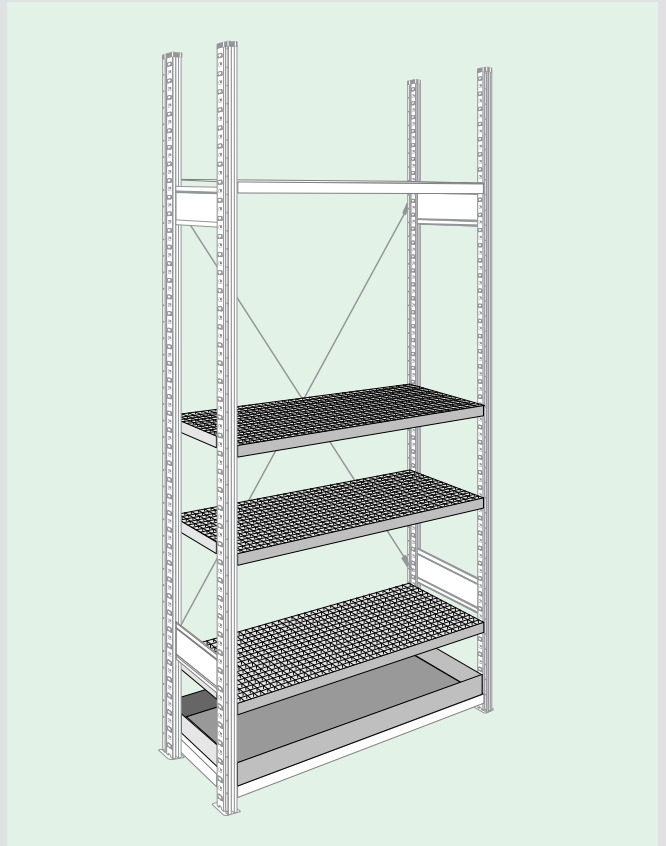
	Order No.	Price No.
Two-wing door sets, height: 2111 mm	FTR 4001	27900
Fastening hardware for FTR R 3000 door sets	BM-FTR-R3	144980

## Two-wing door sets for multi-tier shelving systems

Bay length 994 mm. Within multi-tier systems, shortened doors must be fitted below and above the mezzanine for technical reasons. Height 1845 mm.

**For fitting of door sets a bottom dividing shelf of 30 mm height is required within the designated storage module.**

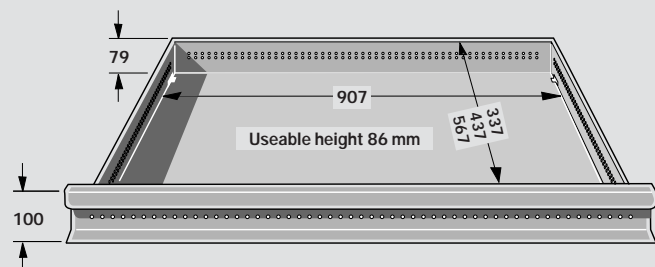
	Order No.	Price No.
Two-wing door sets, height: 1845 mm	FTR-B 4001	27910
Fastening hardware for FTR R 3000 door sets	BM-FTR-R3	144980



# Modular drawers for bay length 994 mm

For shelving depths of 400, 500 and 600 mm, the R 3000 shelving system can be fitted (including as a later modification) with modular drawers of two different heights.

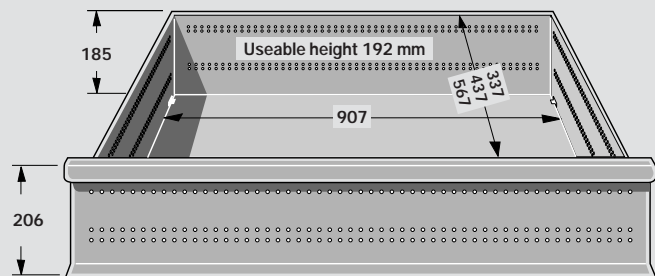
ei er io r co eri or ee i e  
e ice 1 428 i ei or ero r ee e e  
o o r r er i i o oc i e ice c  
ie eie i eci e ec i e. e o  
e ec ri e ice or i i r ro ri e rc rie .



## Drawers

Sheet steel, painted light silver. Distance between holes: 16.25 mm

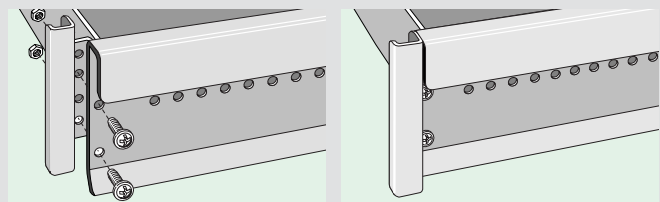
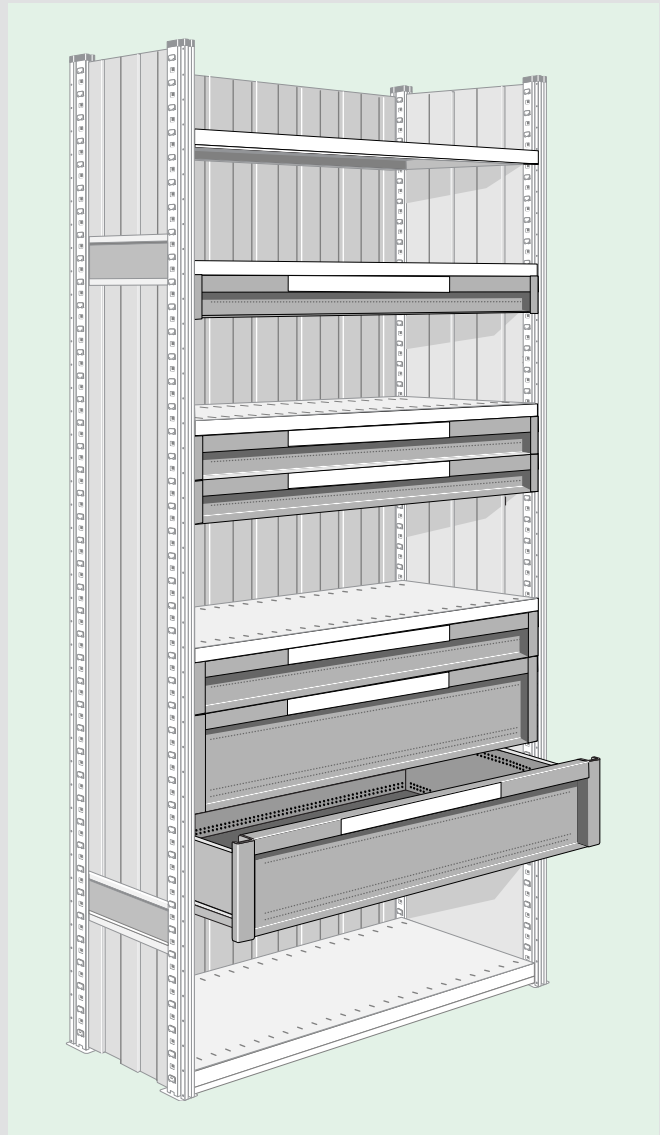
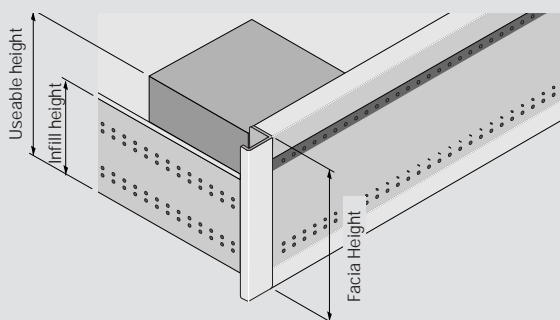
Shelf depth	Facia height	Max. load	Order No.	Price No.
400 mm	100 mm	70 kg	ESCH 4410	26680
500 mm	100 mm	70 kg	ESCH 4510	27951
600 mm	100 mm	70 kg	ESCH 4610	27971



## Drawers

Sheet steel, painted light silver. Distance between holes: 16.25 mm

Shelf depth	Facia height	Max. load	Order No.	Price No.
400 mm	206 mm	70 kg	ESCH 4420	26690
500 mm	206 mm	70 kg	ESCH 4520	27961
600 mm	206 mm	70 kg	ESCH 4620	27981



## Infill facias

Cover the area between the shelving uprights and drawer units. Attached to left- and right-hand side of drawer-front using crosshead screws.

Drawer	Order No.	Price No.
ESCH 4410/ESCH 4510/ESCH 4610	SBL-ESCH 4100	28260
ESCH 4420/ESCH 4520/ESCH 4620	SBL-ESCH 4200	28270

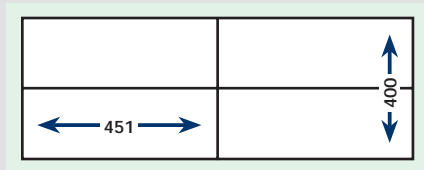
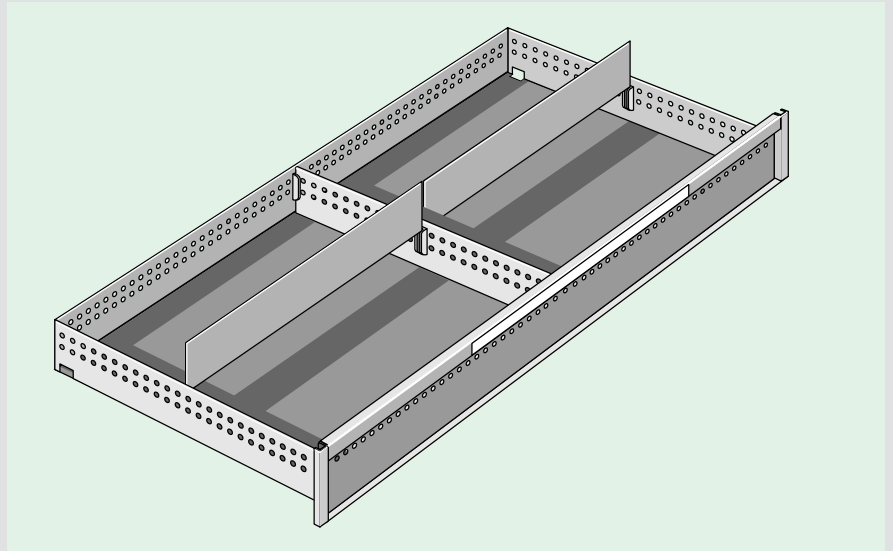
# Drawer partitions

## Dividers and partitions

Fitted using plastic clips, which slot into the rows of holes in the front- and side-panels of each drawer.

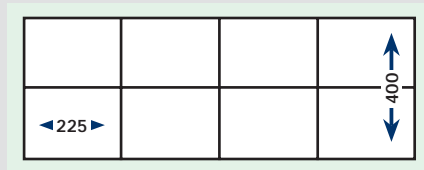
For compartment widths of 451, 225 and 112 mm, the depth of each compartment can be adjusted as required using crosswise dividers.

Distance between holes: 16,25 mm



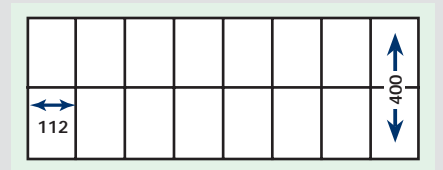
Four compartments

Drawer	Order No.	Price No.
ESCH 4410	SE 4121	29742
ESCH 4420	SE 4122	29752



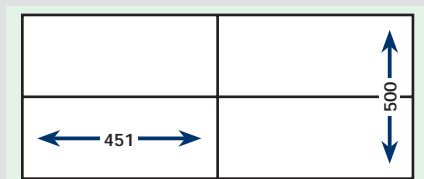
Eight compartments

Drawer	Order No.	Price No.
ESCH 4410	SE 4141	29762
ESCH 4420	SE 4142	29772



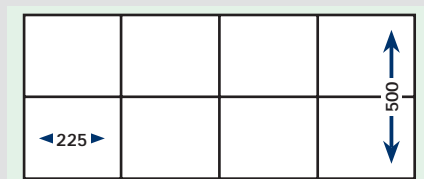
Sixteen compartments

Drawer	Order No.	Price No.
ESCH 4410	SE 4181	29782
ESCH 4420	SE 4182	29792



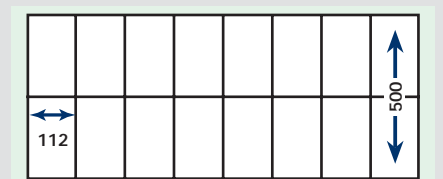
Four compartments

Drawer	Order No.	Price No.
ESCH 4510	SE 5121	29740
ESCH 4520	SE 5122	29750



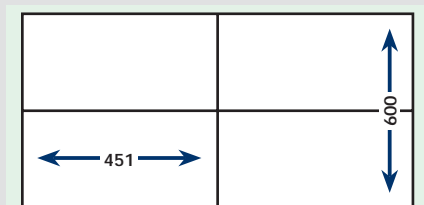
Eight compartments

Drawer	Order No.	Price No.
ESCH 4510	SE 5141	29760
ESCH 4520	SE 5142	29770



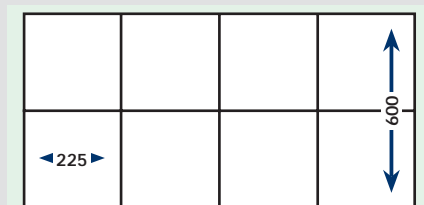
Sixteen compartments

Drawer	Order No.	Price No.
ESCH 4510	SE 5181	29780
ESCH 4520	SE 5182	29790



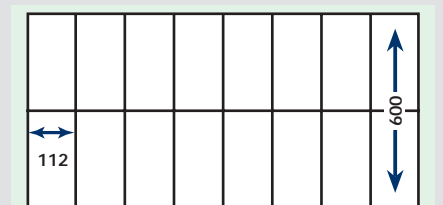
Four compartments

Drawer	Order No.	Price No.
ESCH 4610	SE 6121	29741
ESCH 4620	SE 6122	29751



Eight compartments

Drawer	Order No.	Price No.
ESCH 4610	SE 6141	29761
ESCH 4620	SE 6142	29771



Sixteen compartments

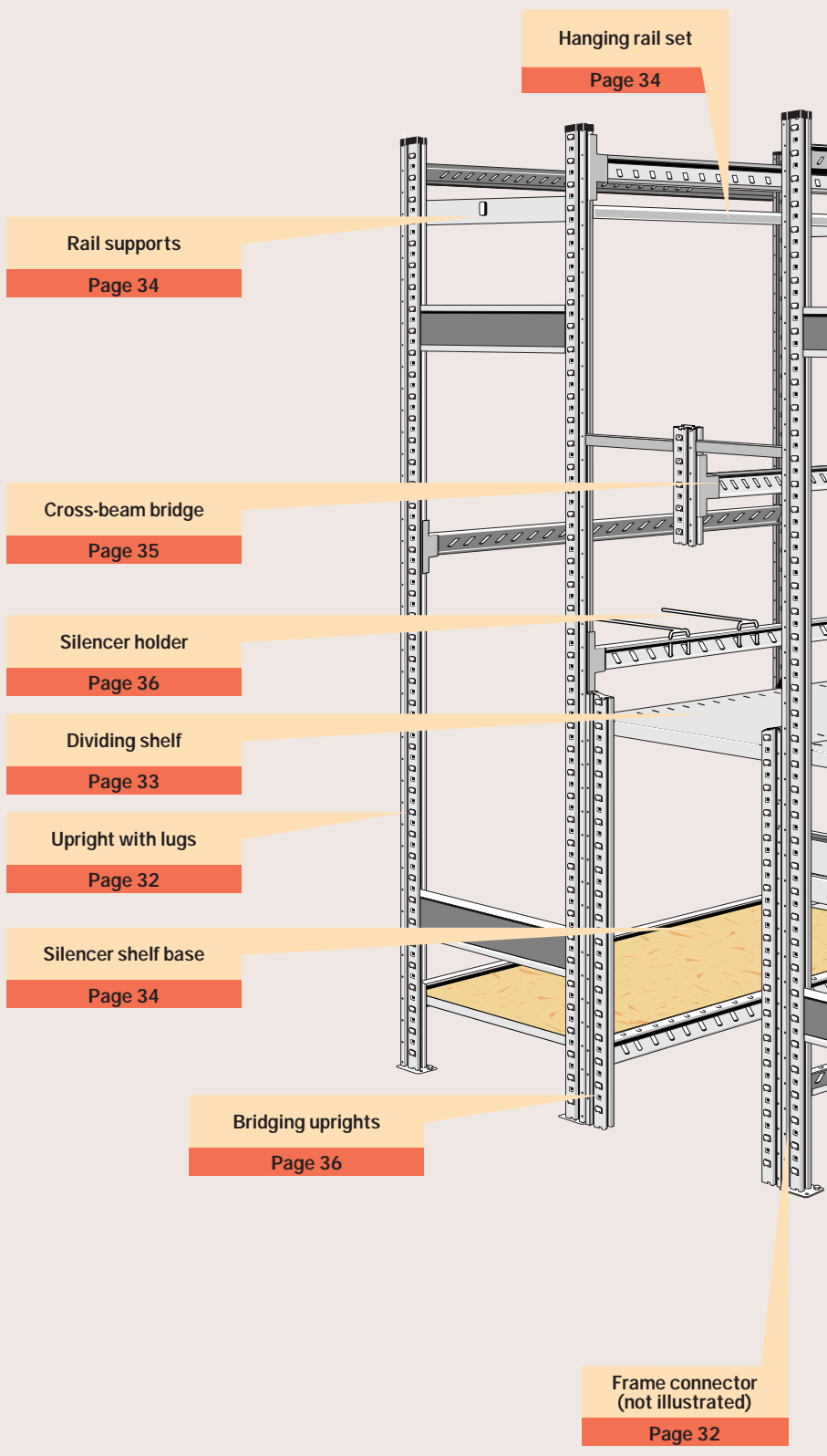
Drawer	Order No.	Price No.
ESCH 4610	SE 6181	29781
ESCH 4620	SE 6182	29791

# R 3000 – The modular multifunctional storage system for auto-body parts and oversized items

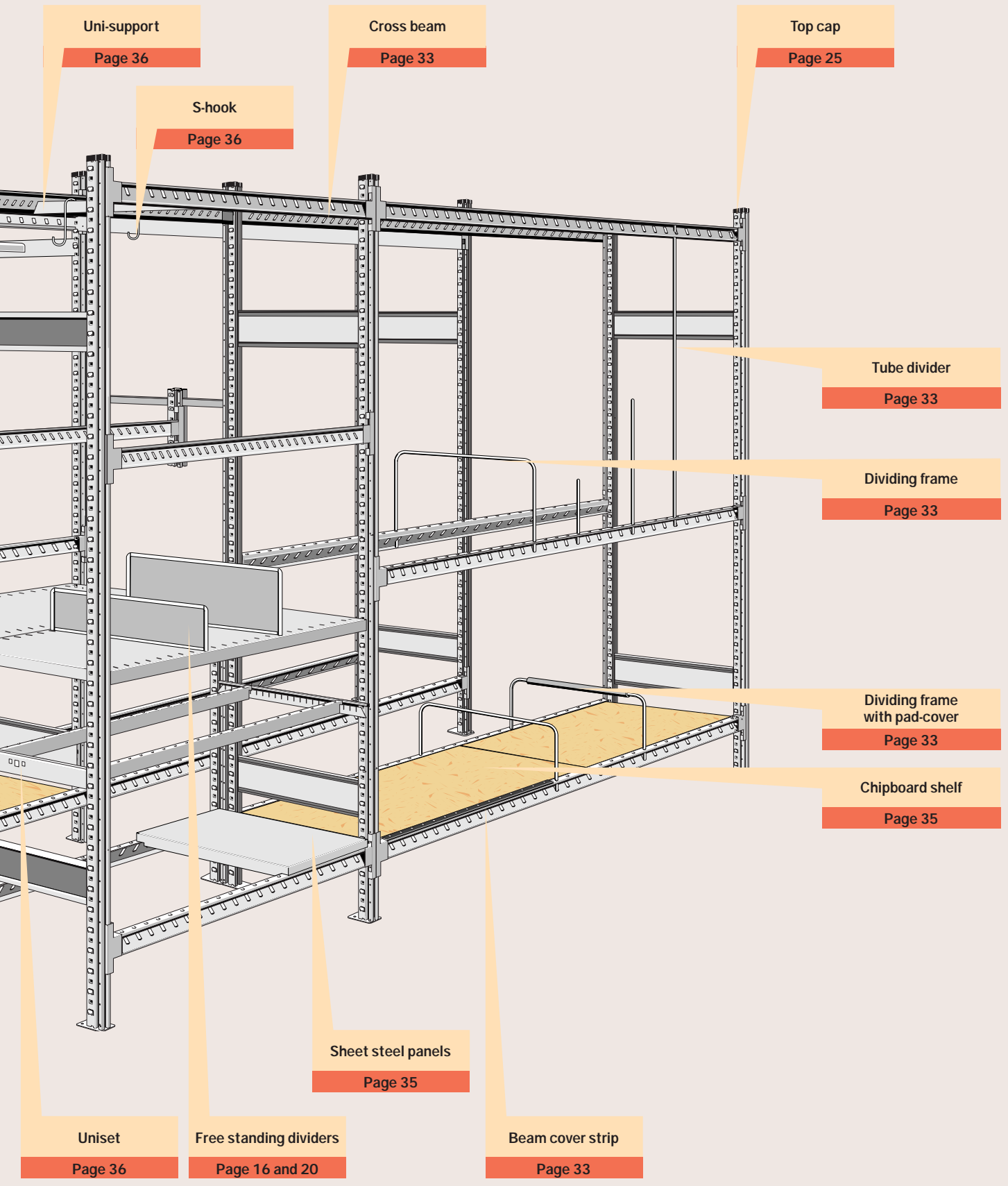
The storage of large and irregularly-shaped parts, such as fenders, silencers, bumpers or windshields, requires shelving systems that are specially-designed to handle such items. We offer units with two different frame depths and three frame-heights, along with an ample range of accessories, to help cover this need. The roll-formed uprights, with our highly-adjustable slot-in system, provide crosswise support for both facing sides. Meanwhile, the cross-beam bridge – hung across two shelf bays or within the uprights – is the ideal way to provide safe and secure storage for unusually-shaped items.

Assembly of the system is time- and cost-effective. Future modification, expansion or dismantling are totally trouble-free. The maximum shelf-bay load capacity of 3000 kg makes the system suitable for use in multi-tier configurations.

Vital decisions that once had to be taken when planning a new store layout – such as whether to store auto-body parts at floor level or higher up – are no longer of importance, as modifications can be carried out (e.g. of compartment configuration) as required, thanks to the stability provided by the upright sections.







Uni-support

Page 36

Cross beam

Page 33

Top cap

Page 25

S-hook

Page 36

Tube divider

Page 33

Dividing frame

Page 33

Dividing frame  
with pad-cover

Page 33

Chipboard shelf

Page 35

Sheet steel panels

Page 35

Uniset

Page 36

Free standing dividers

Page 16 and 20

Beam cover strip

Page 33

# Support frames and accessories

## Support frames, galvanized finish, height 2278 mm

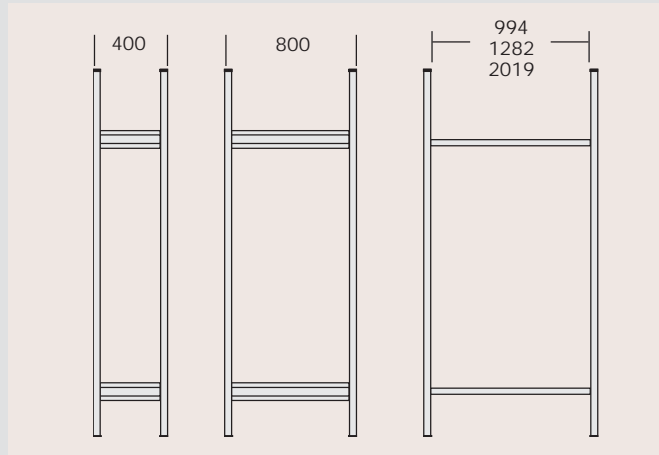
Frame depth	Max. bay load	Finish	Order No.	Price No.
400 mm	max. 3000 kg	galvanized	RR 34322 V	144760
800 mm	max. 3000 kg	galvanized	RR 38322 V	144790

## Support frames, galvanized finish, height 2490 mm

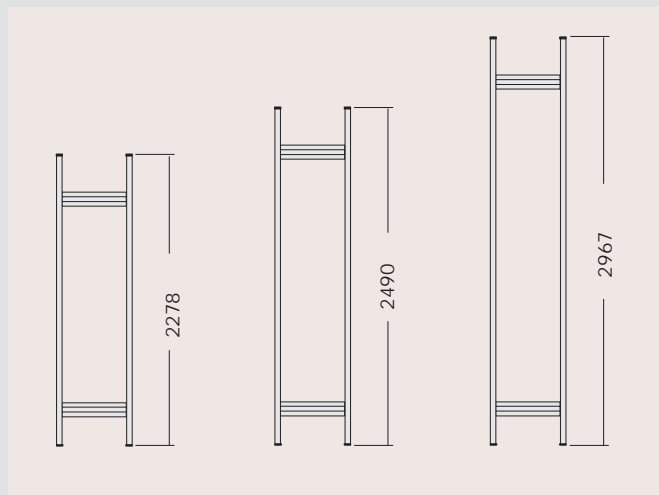
Frame depth	Max. bay load	Finish	Order No.	Price No.
400 mm	max. 3000 kg	galvanized	RR 34325 V	144060
800 mm	max. 3000 kg	galvanized	RR 38325 V	144090

## Support frames, galvanized finish, height 2967 mm

Frame depth	Max. bay load	Finish	Order No.	Price No.
400 mm	max. 3000 kg	galvanized	RR 34330 V	144110
800 mm	max. 3000 kg	galvanized	RR 38330 V	144140



**Note:**  
Please consult the planning department at SSI SCHAEFER if you intend to integrate the shelving modules into a multi-level system.

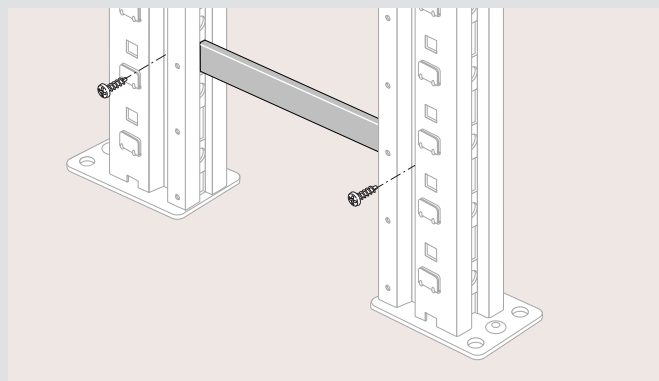


### Frame connector

Sheet steel, galvanized finish. For the connection of 2 back-to-back shelf bays. Incl. fittings.

Note: A frame clearance of 30 mm is required for the fitting of cross beams.

Frame clearance	Order No.	Price No.
30 mm	RV 3030	147090
50 mm	RV 3050	147100
100 mm	RV 3100	147110
300 mm	RV 3300	147120

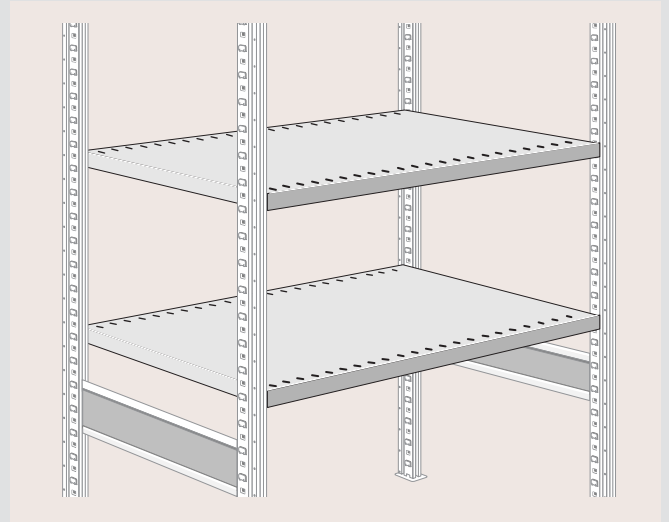


# Accessories for storage of auto-body parts and oversized items

## Dividing shelves, height 40 mm, bay lengths 994 mm and 1282 mm

Sheet steel, galvanized finish. 40 mm high. The shelves are provided with rows of slots, spaced at 41 mm apart.

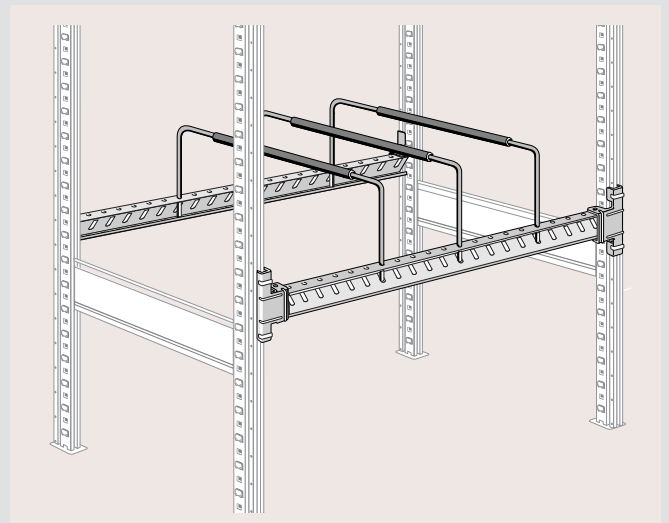
Shelf depth	Max. load	Bay length	Order No.	Price No.
400 mm	100 kg	994 mm	<b>ZB 341010 V</b>	145510
800 mm	200 kg	994 mm	<b>ZB 381020 V</b>	145600
400 mm	150 kg	1282 mm	<b>ZB 341315 V</b>	145540
800 mm	250 kg	1282 mm	<b>ZB 381325 V</b>	145630



## Cross beams

Sheet steel, galvanized finish. The cross beams should be fitted to the front edges at intervals of 53 mm, which allows the system to be adapted to complex and irregularly-shaped parts. The KTB dividing frames partition the shelf bays lengthways into 800 mm-deep sections. Note: cross beams provide an alternative to cross-braces with respect to lengthways reinforcement. Each shelf bay should be fitted with at least two pairs of cross beams, attached with screws (supplied) to prevent them slipping out of place.

	Max. load/pair	Order No.	Price No.
Cross-beam L 994 mm	300 kg	<b>KTRZ 31036</b>	147140
Cross-beam L 1282 mm	300 kg	<b>KTRZ 31336</b>	147150
Cross-beam L 2019 mm	300 kg	<b>KTRZ 32036</b>	147160
Tubular divider for securing oversized auto-body parts		<b>KTB</b>	28180
Pads for tubular divider		<b>KTBS</b>	39640



## Beam cover strip (not illustrated)

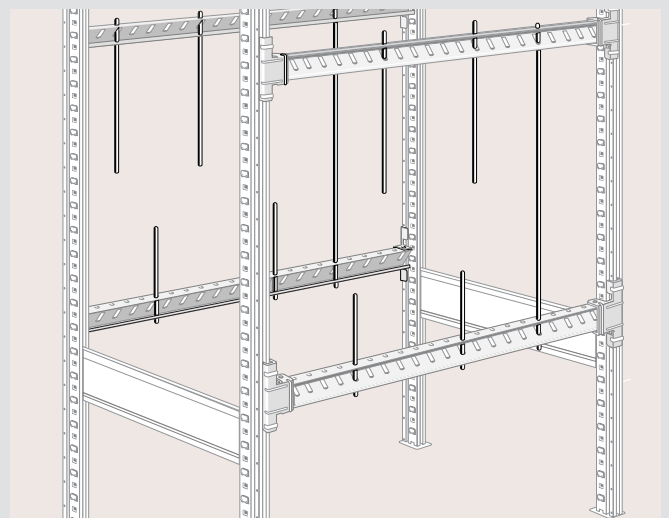
Self-adhesive, 994 mm long.

	Order No.	Price No.
Beam cover strip	<b>KRT 3102</b>	147340

## Tube dividers

Sheet steel, galvanized finish. The tubes are inserted into the holes in the tie-bars and lock automatically.

Order No.		Price No.
Slot-in tube L 170 mm	<b>KRA 4170</b>	28090
Slot-in tube L 300 mm	<b>KRA 4300</b>	28080
Windshield holder, useable height 894 mm	<b>KRA 4950</b>	28030

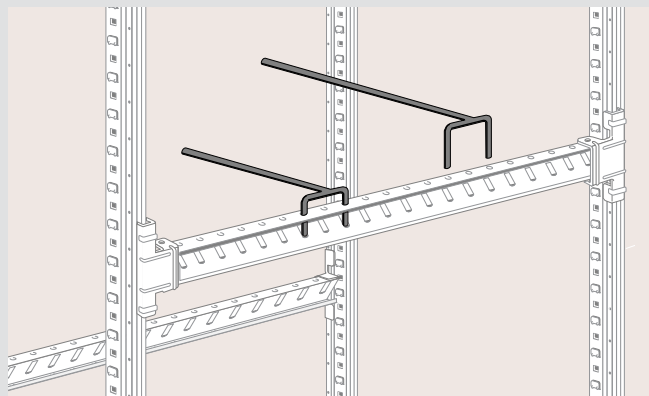


# Accessories for storage of auto-body parts and oversized items

## Silencer holders

Slotted into holes in tie-bars.

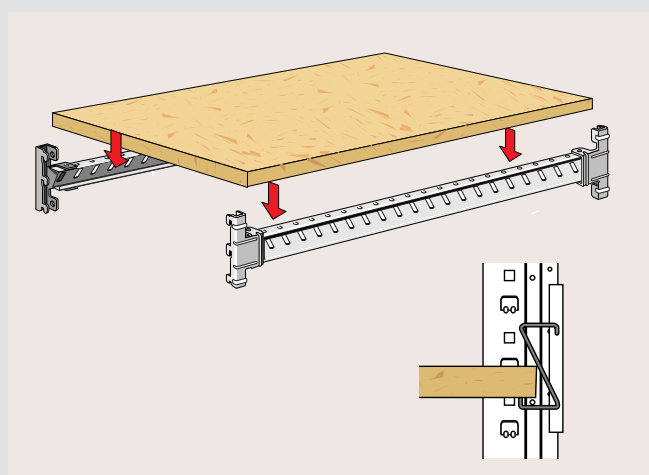
Order No.	Price No.
Silencer holder, 340 mm useable length, Shelf depth 400 mm <b>APH 340</b>	18120
Silencer holder, 740 mm useable length, Shelf depth 800 mm <b>APH 740</b>	18110



## Silencer shelf-base

Made of chipboard, 20 mm thick. Positioned between cross-beams to separate silencers. W 985 x D 755 mm

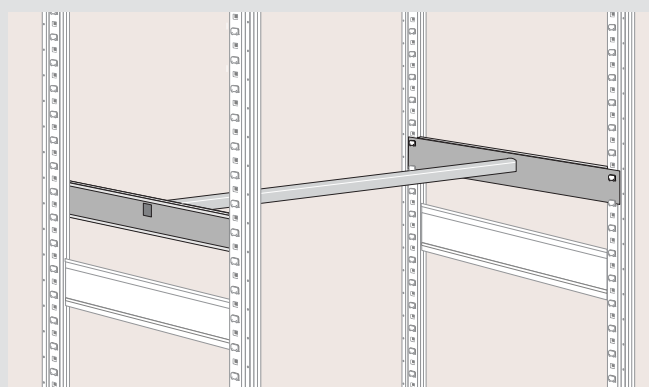
Order No.	Price No.
Silencer shelf-base <b>KRAB 8822</b>	94830



## Hanging rail set

Sheet steel, galvanized finish. For hanging seat covers, floor-mats, clothing, etc.

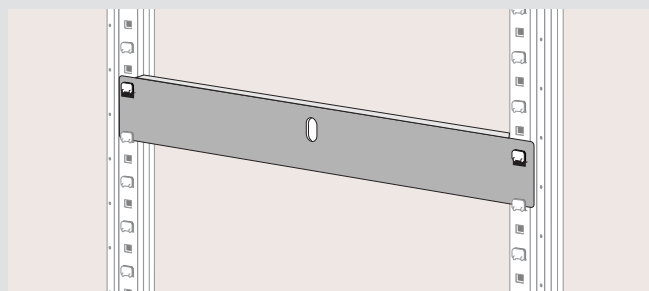
Order No.	Price No.
Hanging rail set L 994 x D 800 mm <b>KST 3108</b>	147190
Hanging rail set L 1282 x D 800 mm <b>KST 3138</b>	147200



## Rail supports

Sheet steel, galvanized finish. For side support inside frames.

Order No.	Price No.
Rail supports, shelf depth 800 mm <b>AL 3800</b>	147210



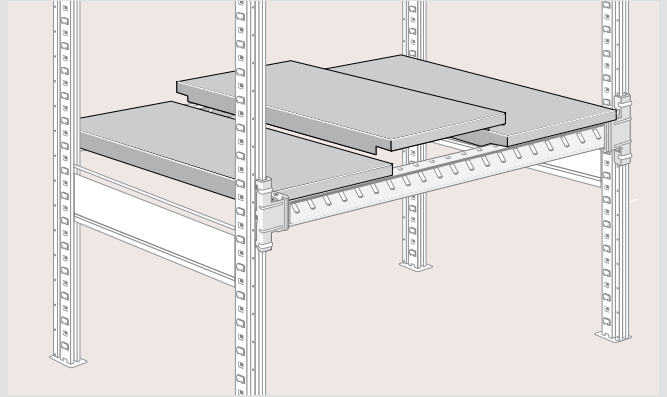
# Accessories for storage of auto-body parts and oversized items

## Sheet-steel panels

Sheet steel, galvanized finish. Sheet-steel panels can be used individually or in larger numbers to provide enclosed storage for body-parts.

### Sheet-steel panels, B 328 x D 800 mm

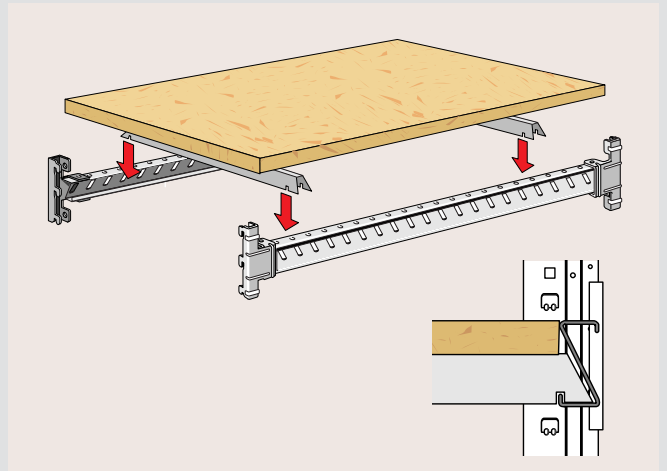
Sheet-steel panels, bay length 994 mm (3 x for 994 mm bay)	Order No. <b>PA7834</b>	Price No. 29110
---	----------------------------	--------------------



## Chipboard shelf-bottom, height-adjusted

Suitable for single and double storage bays. Made of 20 mm chipboard. Fitted with uni-supports to form a height-adjusted unit. The 20 mm-high long edge of the chipboard shelf-bottom is protected at the same time. W 990 x D 717 mm

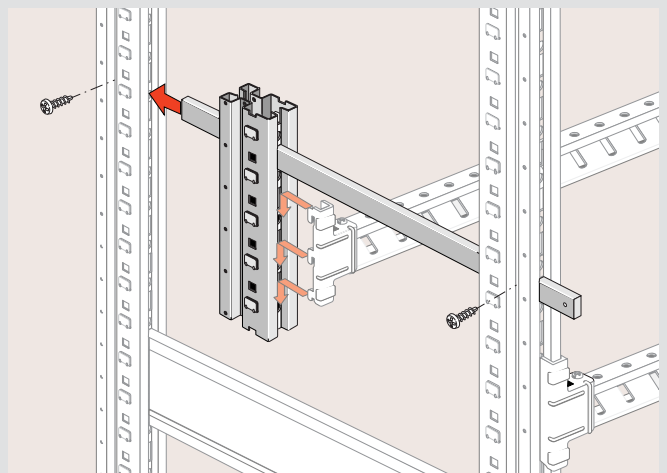
Chipboard shelf-bottom, bay length 994 mm incl. 2 x uni-supports	Order No. <b>KRHH 8822</b>	Price No. 94760
---	-------------------------------	--------------------



## Cross-beam bridge

Galvanized finish. For use in shelf frames and bridging sections for supporting irregularly-shaped items.

Cross-beam bridge, shelf depth 800 mm	Order No. <b>TRB 3812</b>	Price No. 147170
---------------------------------------	------------------------------	---------------------



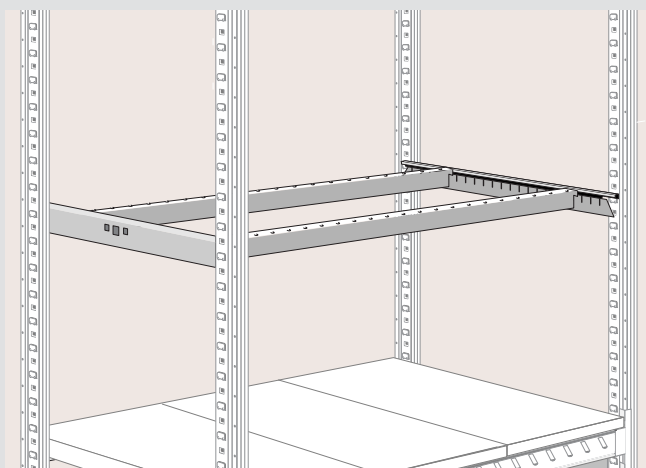
Cross-beam bridge in upright frames

# Accessories for auto-body and oversized parts

## Uniset

Galvanized. For the storage of tyres, rims etc. Uniset allows the distance between beam channels to be independent of the depth of the racking. For this purpose two slotted support sections TA are placed into lugs of the frames. Beam channels UT may be inserted wherever and as often as needed. The basic configuration of the uniset consists of two support sections TA and two beam channels UT.

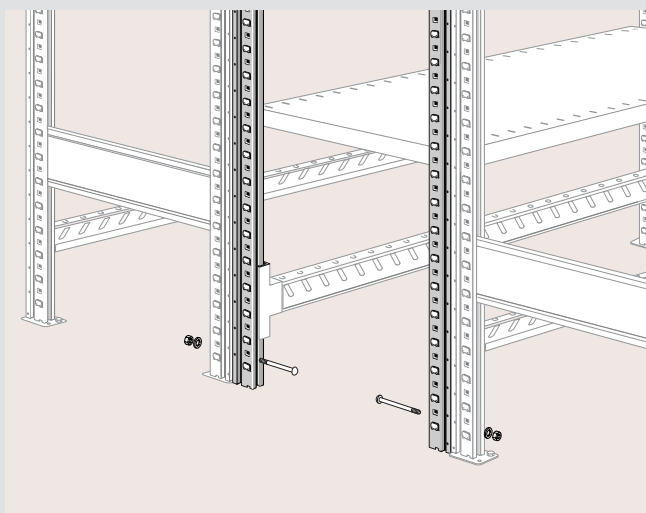
	Order No.	Price No.
Bay length 994 mm		
Uniset, 4-section, shelf depth 800 mm	<b>US 4100</b>	26700
additional Uni tie-bars, single	<b>UT 4114</b>	26710
Beam cover strip, self-adhesive	<b>KRT 3102</b>	28220



## Bridging uprights

Sheet steel, galvanized finish. For attachment of dividing shelves and tie-bars in bridging area. Incl. fittings.

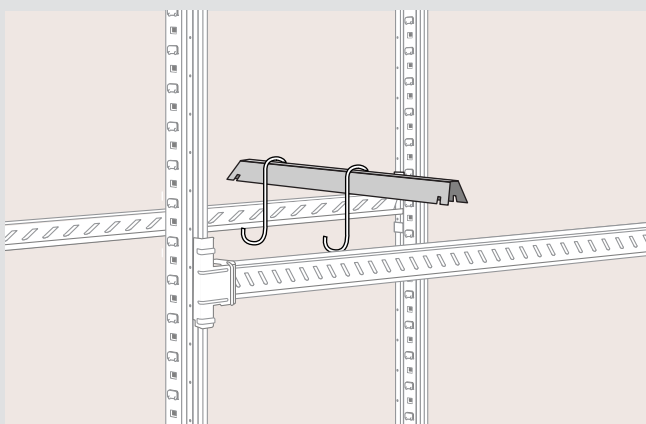
	Order No.	Price No.
Bridging uprights, height 2276 mm	<b>BST 3122 V</b>	147710



## Uni-support

Sheet steel, galvanized finish. For attachment of hooks and for hanging items.

	Order No.	Price No.
Uni-support, shelf depth 800 mm	<b>UT 8800</b>	94770



## S-hook

Steel wire, galvanized finish.

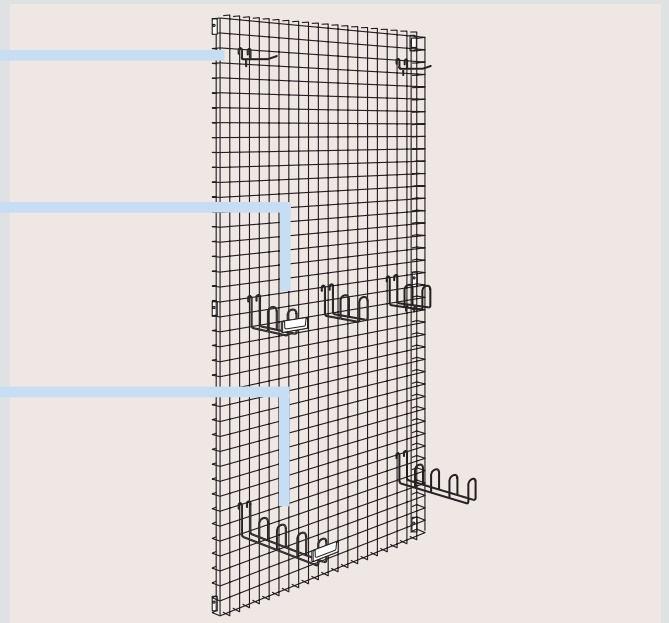
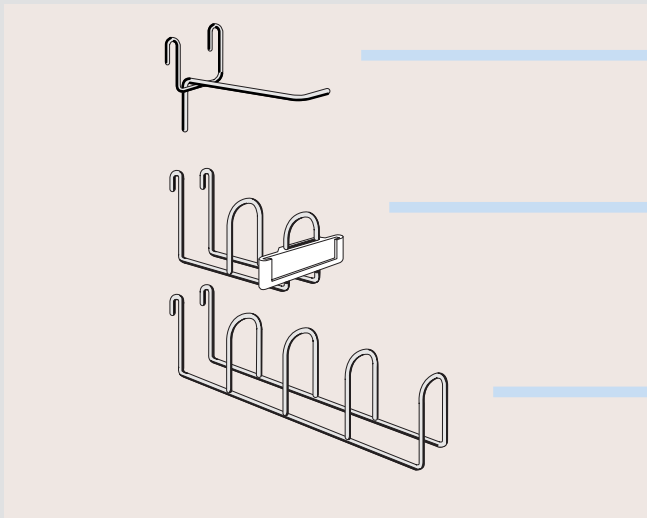
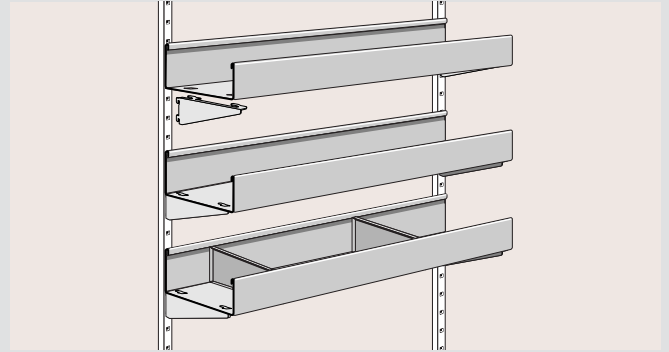
	Order No.	Price No.
S-hook	<b>CSH</b>	17760
S-hook, twisted by 90°	<b>CSH 90</b>	17770

# Complementary items for the storage of auto-body parts and oversized items

## Cable tray racks

Sheet steel, stove-enamelled in light silver. Cable tray racks can be wall mounted as required in virtually any position. (each one: 1000 x 1000 mm).

Order No.		Price No.
Support rail 1000 mm high	<b>FWS</b>	1950
Support bracket for trays	<b>FWK 10</b>	11450
Storage tray, W 1000, H 100/170, D 195 mm	<b>FWR 10</b>	11460
Longitudinal divider W 450, H 70, D 100 mm	<b>FWU 12</b>	11470
Longitudinal divider W 450, H 70, D 70 mm	<b>FWU 13</b>	11480
Cross partition	<b>FWT 10</b>	11490



## Support hooks

Steel mesh, galvanized finish. Suitable for storage of long items, such as body-trim or hanging parts.

Order No.		Price No.
Body-trim hook, H 75 x D 100 mm	<b>ZH 1</b>	11600
Hook for long items, 1 saddle-piece, H 75 x D 160 mm	<b>ZH 2</b>	11390
Hook for long items, 3 saddle-pieces, H 75 x D 350 mm	<b>ZH 4</b>	11410
Plastic lable holder, 85 x 20 mm	<b>ZE 82</b>	11420
Label cards for ZE 82, pack of 100/each	<b>ZEE</b>	11930
Plastic covers, cut to size, pack of 100/each	<b>ZEF</b>	11940

## Mesh panel for body-trim storage

Steel mesh, stove-enamelled in silver-grey. 50 x 50 x 4 mm. W 1055 x H 2050 mm

	Order No.	Price No.
Mesh panel for body-trim storage	<b>ZR 210/W</b>	11380

## Corner protection

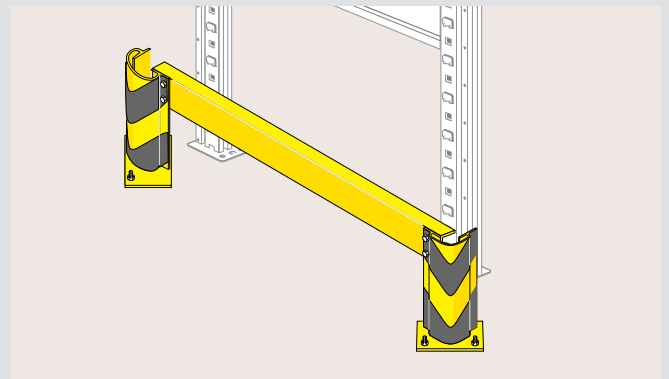
Tough, angled profile section, H 300 mm, with sturdy base plate. Incl. 2 anchors for attachment to warehouse floor. Colour: yellow/black

	Order No.	Price No.
Corner protection	<b>ES 300</b>	19690

## End-frame protection

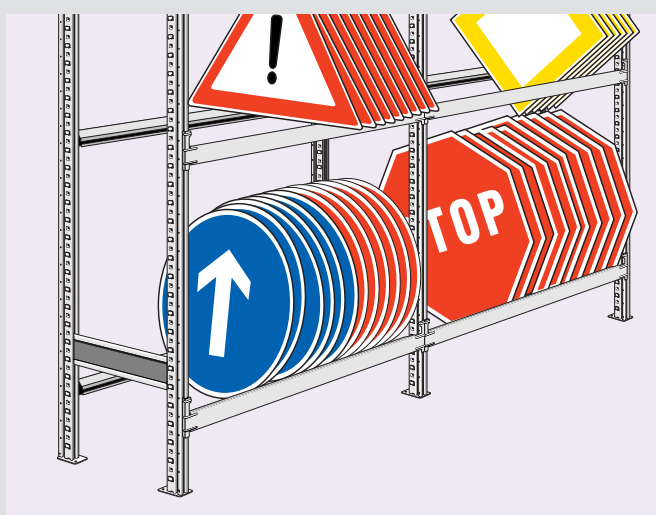
For additional crosswise connection. Colour: yellow

	Order No.	Price No.
End-frame protection	<b>HS 85</b>	19710



# R 3000 – Modular rack system for storage of tyres, wheel rims and oversized parts

Upright frames, cross beams and frame connectors are the constituent components of the shelving system shown here. The system is available in three different bay widths and three heights. The specially-shaped design of the cross beams on these 400 mm-deep shelves makes them suitable for housing virtually any common type of tyre or wheel rim. The components can be very easily assembled and just as easily reconfigured to meet changes in the stored material or space requirement.

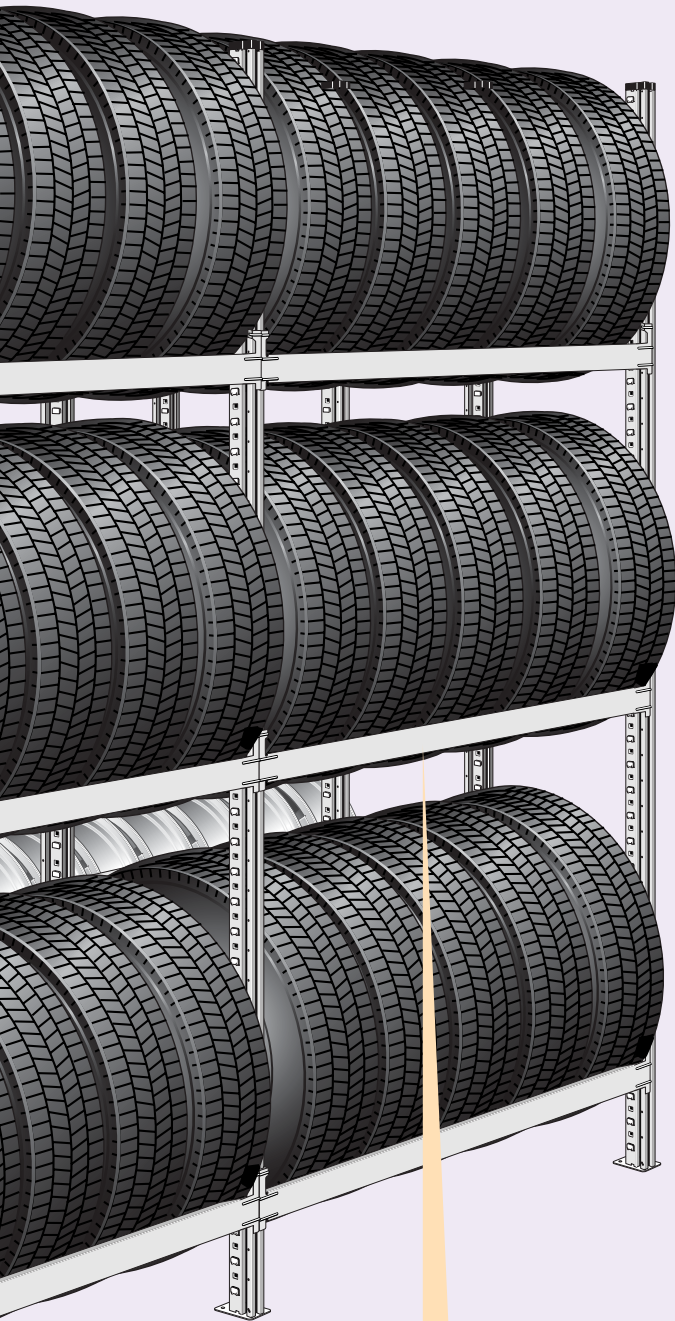


Frame connector

Page 39

Sup



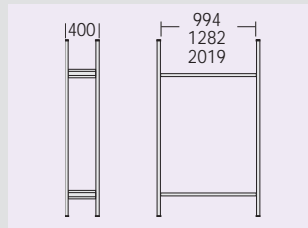


Support frames

Page 39

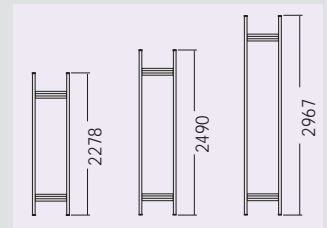
Cross-beam

Page 39



#### Support frames, frame height 2278 mm

Shelf depth	Max. bay load	Finish	Order No.	Price No.
400 mm	max. 3000 kg	galvanized	RR 34322 V	144760

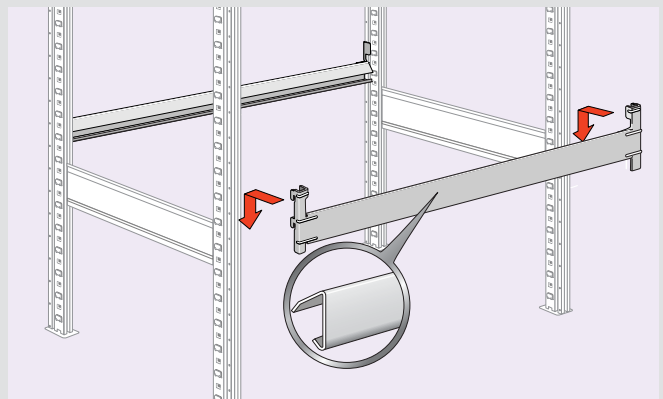


#### Support frames, frame height 2490 mm

Shelf depth	Max. bay load	Finish	Order No.	Price No.
400 mm	max. 3000 kg	galvanized	RR 34325 V	144060

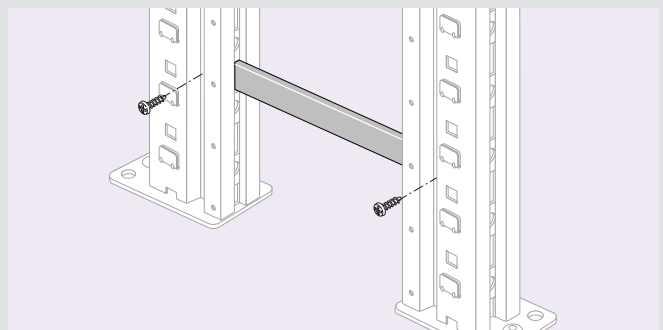
#### Support frames, frame height 2967 mm

Shelf depth	Max. bay load	Finish	Order No.	Price No.
400 mm	max. 3000 kg	galvanized	RR 34330 V	144110



#### Cross-beams for tyres and wheel rims

	Max. load/pair	Order No.	Price No.
Cross-beam L 994 mm	100 kg	RTR 31015	147220
Cross-beam L 1282 mm	100 kg	RTR 31315	147230
Cross beam L 2019 mm	200 kg	RTR 32025	147240



#### Frame connector

Sheet steel, galvanized finish.

For the connection of two back-to-back shelf bays.

Incl. fittings.

Frame clearance	Order No.	Price No.
300 mm	RV 3300	147120

# R 3000 – Multi-tier installations with mezzanines

Shelving system with mezzanine floors – not of solid construction but nevertheless accomplished pieces of engineering – help you take full advantage of every centimeter of storage space from floor to ceiling. We offer 2-, 3- and 4-level systems, and our modular shelving systems are always designed to support the mezzanine sections fitted. Horizontal and vertical extensions can also be based on existing single-level systems.

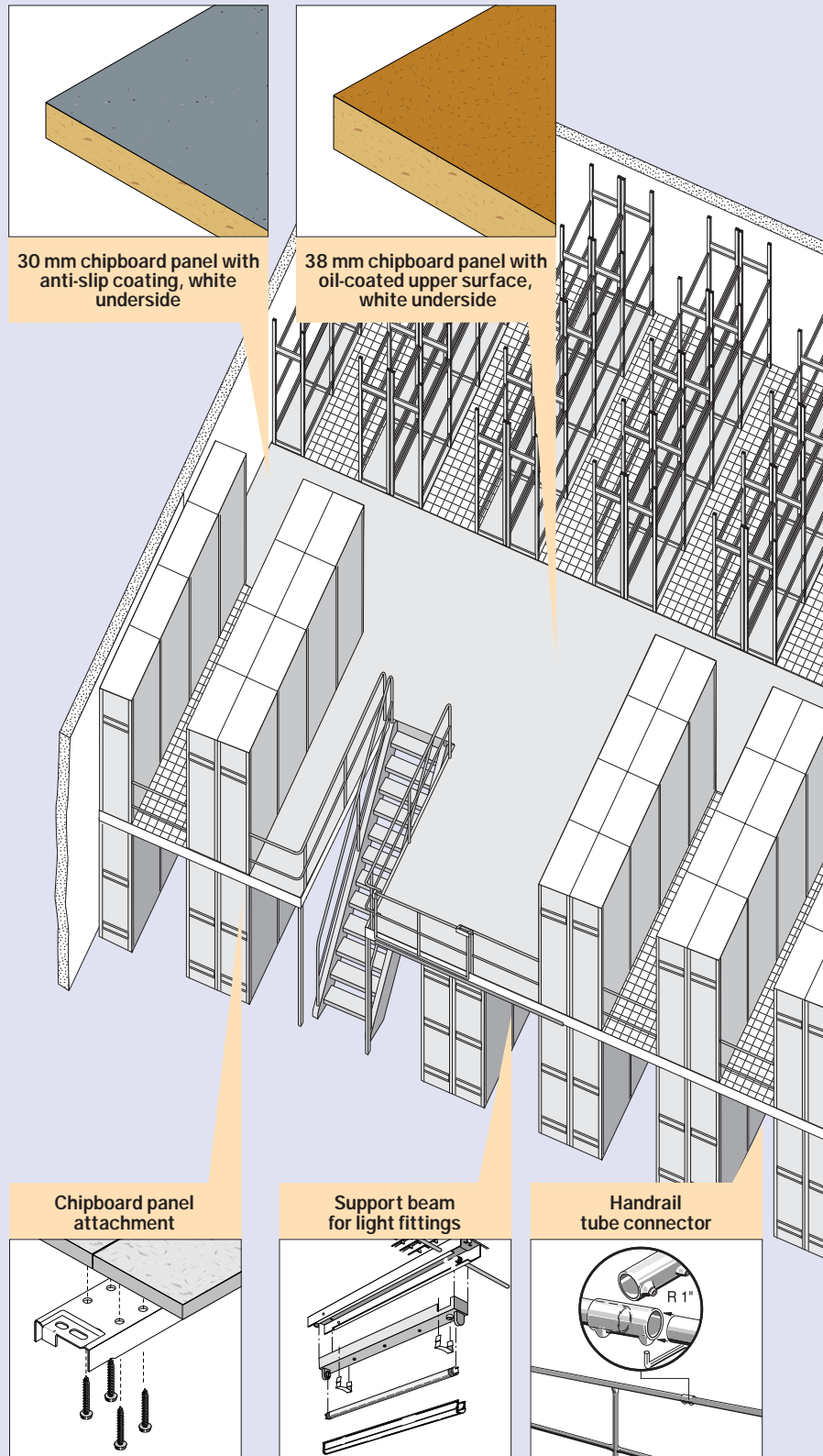
The mezzanine floor can be made of metal gratings with standard 33 x 33 mm mesh structure, or – to order – in fine-meshed sections or standard laminated chipboard (up to 30 or 38 mm thick), supplied with white underside if desired. Special finishes available to order.

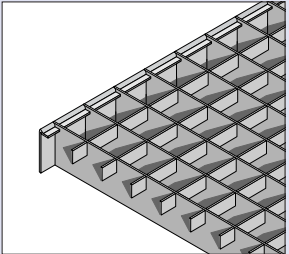
If rolling load factors and noise levels need to be considered, the floors of the transport areas can be fitted with chipboard panels, while the metal grilles ensure free ventilation and let in light. The standard configuration is designed for a maximum load of 300 kg/per square meter. (Higher load ratings available to order).

The slot-in and screw-assembly of our range provides for easy onsite setup without welding, or even the presence of skilled fitters. Our shelving and raised-floor systems are also designed to allow for any future expansion or modification that operating circumstances may require.

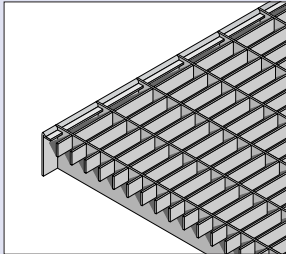
We also take into account the need for adequate lighting. Our special lighting systems, which provide illumination – at working height – of 200 Lux, are incorporated into the support structure of the mezzanine floor. The lights are maintenance-free units and are hung crossways relative to the shelf bay to provide a clear view of the items stored. Our shelves, mezzanines, walkways and lighting systems are designed to comply with all relevant official test-approval procedures.

The mezzanine floor system illustrated here shows just a small example of our wide range of structural components.

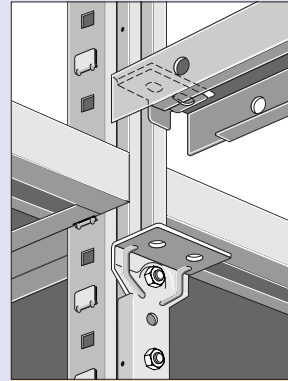




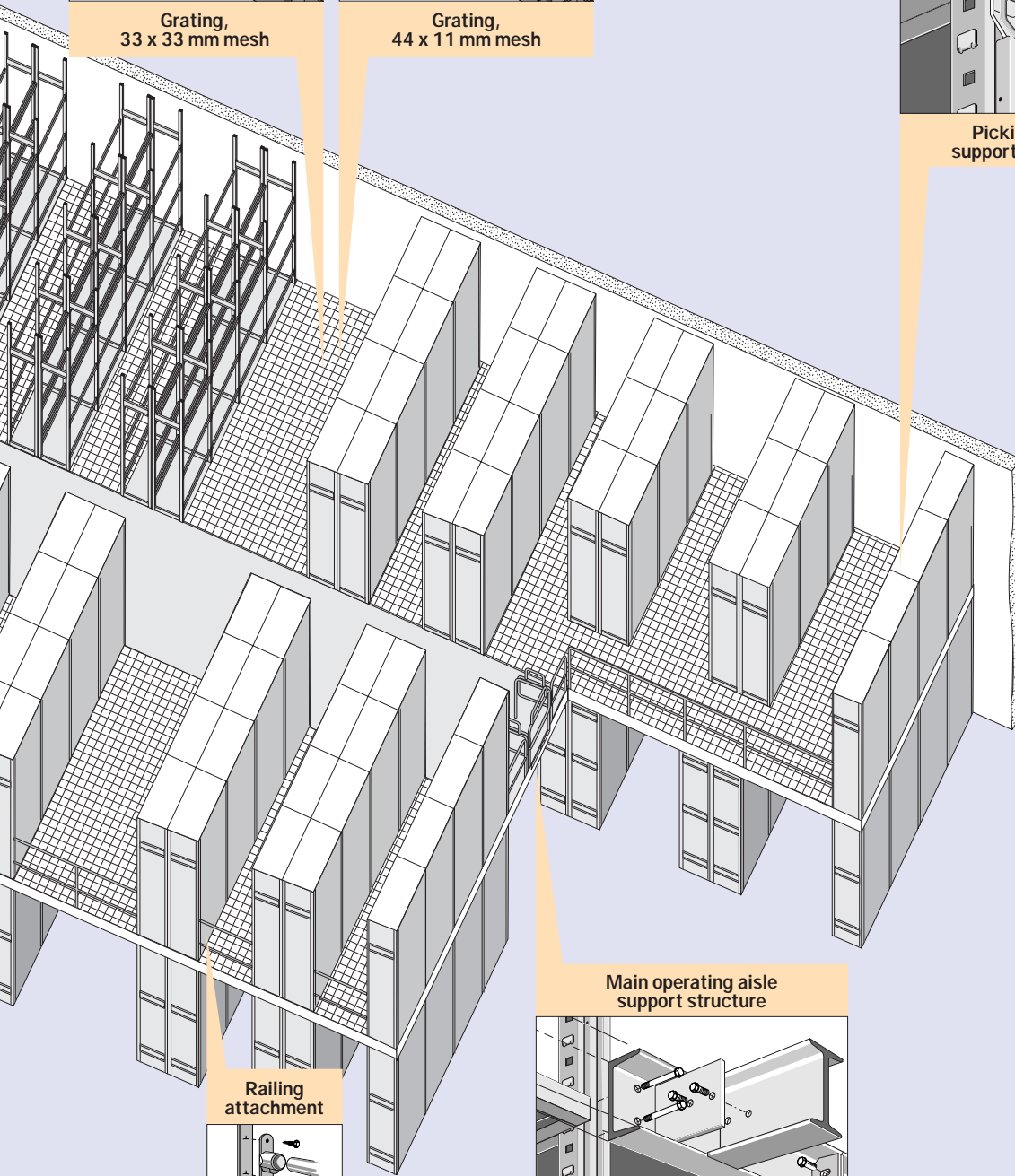
Grating,  
33 x 33 mm mesh



Grating,  
44 x 11 mm mesh

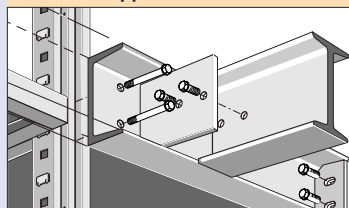
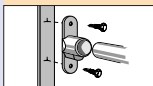


Picking aisle  
support structure



Main operating aisle  
support structure

Railing  
attachment

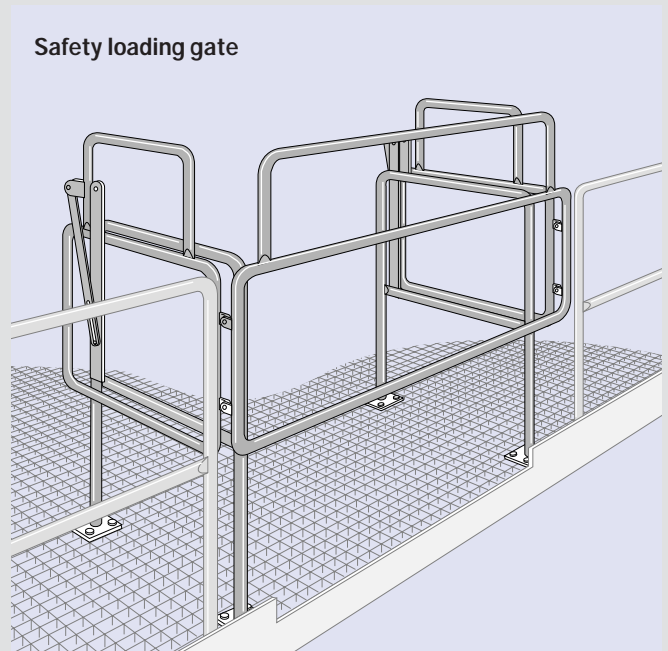
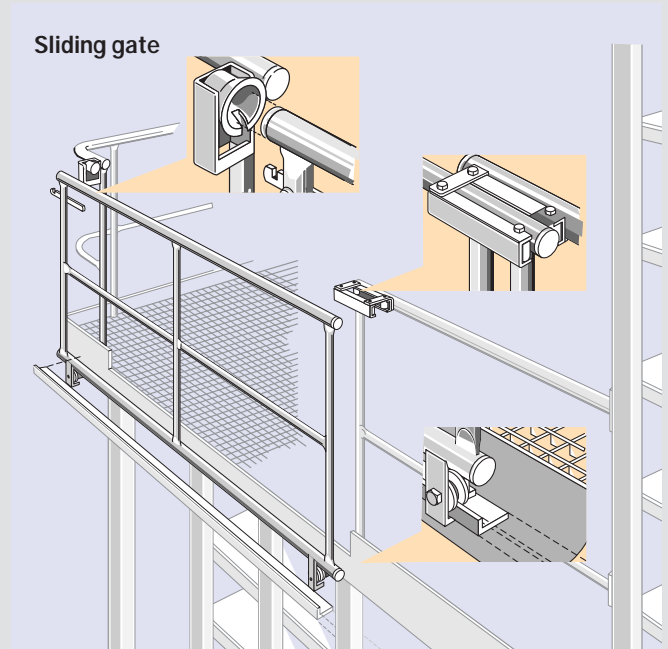
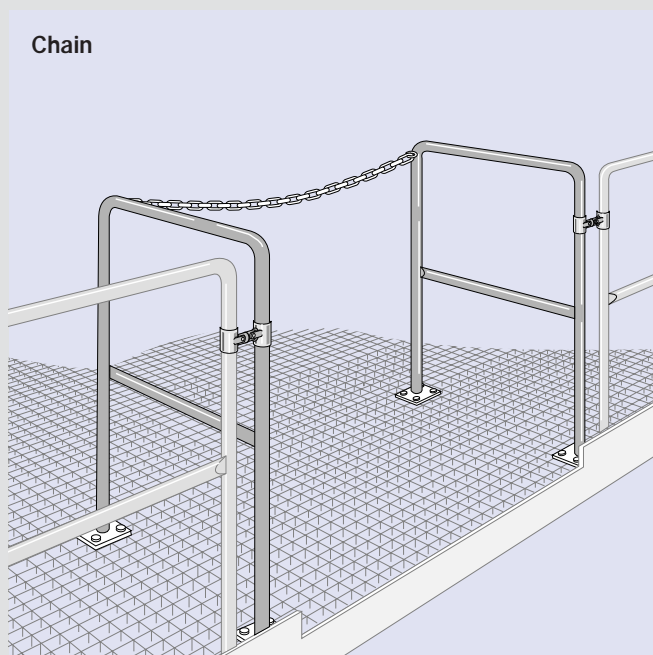
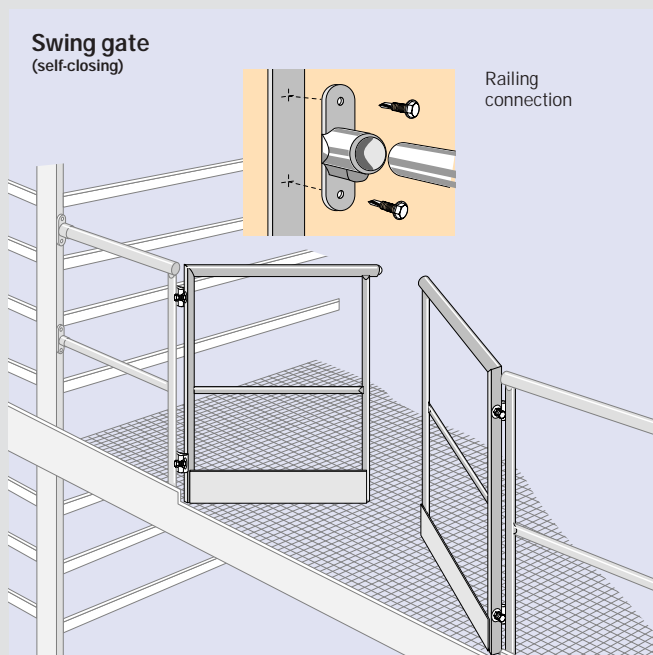


# Mezzanine floor components in detail



# Safety loading gates

Extra-stable standard stairways supply safe and trouble-free access to multiple-level mezzanine floor installations, complying fully with the prerequisites of DIN 24 531. Each step is equipped with flush-fitting bolt-on side plates. The standard configuration includes free stairway widths of 800 and 1000 mm, with steps made of diamond-pattern steel-plate measuring up to 1200 mm. We recommend the use of metal gratings for steps measuring any more than this size. Special finishes are available to order.



The loading gate is designed for maximum staff safety during the handling of transported items. Entrances and exits open and shut appropriately as the load passes.

Max. load height: 1600 mm.

Available in opening-widths of 1500 or 2000 mm

# Light fittings for mezzanine floors, emergency lighting and warning lights

The standards established in BG-ZH 1/428 stipulate that: "Stora e facilities ust be ade uately illu inated with non- lare li htin ."

To meet this requirement, SSI SCHAEFER has developed a special lighting system which guarantees sufficient illumination in all areas of mezzanine system, as required by safety-at-work standards.

To determine the actual lighting requirement for operating aisles relative to the width and height of shelving bays, reference should be made to the number of lamps and their respective ratings, as established by these standards.

SSI SCHAEFER light fixtures are built into the support structure of the mezzanine floor, thus providing substantial protection against impact. The arrangement of light fixtures transverse to the gangways allows unobstructed access to the upper shelf compartment and provides a clear view of stored materials.

All support beams in the operating aisles are designed to carry standard PG 9/1 cable conduits and other similar installation material.

SSI SCHAEFER uses only compensated light fittings. Emergency and warning lights conforming to VDE 0108, DIN 4844 and DIN 5035 (part 5) can be incorporated at the planning stage and installed to order.

**We can provide details of specialist electrical installers on request.**

## Light-fitting support beam

For attachment beneath chipboard mezzanine floors, galvanized finish. L 780 x W 71 x H 38 mm.

	Order No.	Price No.
Light-fitting support beam without accessories	LTUH 78	14460

## Light-fitting support beam

For attachment beneath mesh-grating mezzanine floors, galvanized finish. L 780 x W 71 x H 38 mm.

	Order No.	Price No.
Light-fitting support beam incl. fixings	LTUG 78	14470

## Light fitting

Compensated configuration, with 18 or 25-watt fluorescent tubes, 2 fixing clamps and anti-glare cover

	Order No.	Price No.
18-Watt lamp	SV 18/LK 85	14520
18-Watt lamp	SV 18/LK 85/EVG	14522
25-Watt lamp	SV 25/LK 85	14430
25-Watt lamp	SV 25/LK 85/EVG	14432

## Fluorescent tube

	Order No.	Price No.
18 WF18W/840	LR 18 1250 Lumen	14510
18 WF18W/Lumilux	LR 18 U 1350 Lumen	14512
25 WF25W/133/30	LR 25 1800 Lumen	14500

## Light-fitting support beam

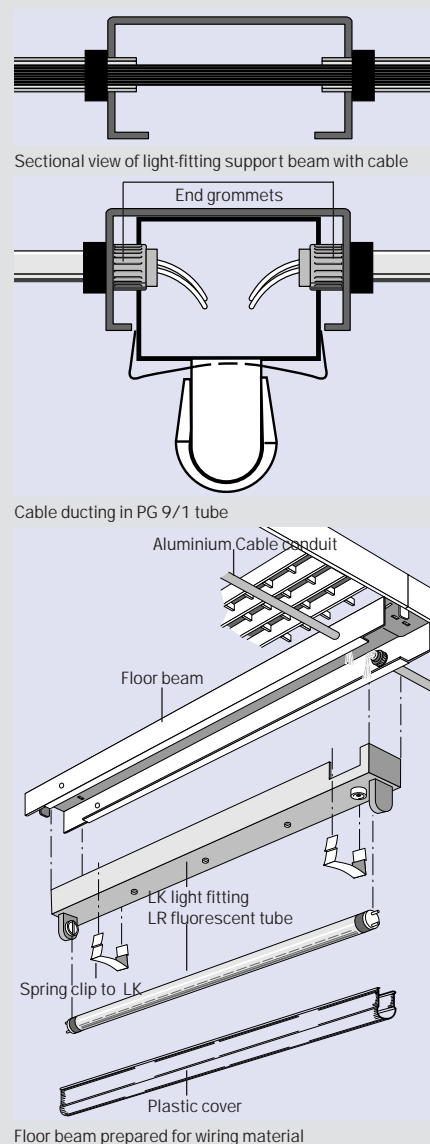
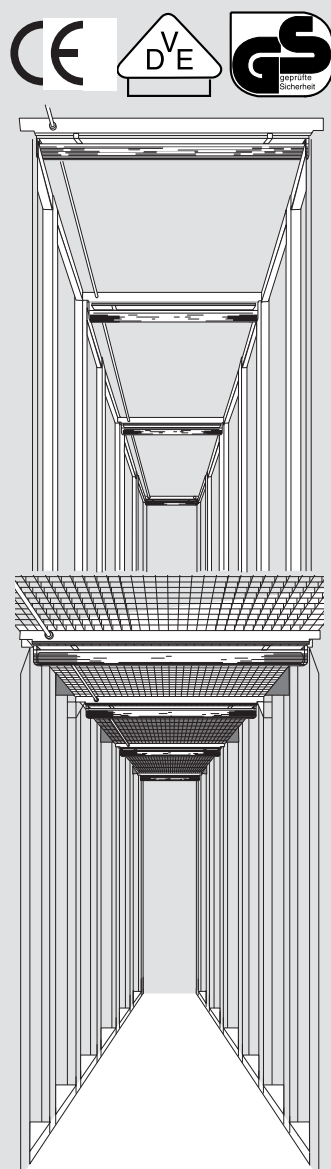
For installation on upper floor. L 850/1000 x W 71 x H 38 mm.

	Order No.	Price No.
Light-fitting support beam	LTO 85 L 850 mm	14480
	LTO 100 L 1000 mm	14490

## Aluminium conduit tubes

For laying wires, incl. 2 locking rings and end grommets. L 1005 mm.

	Order No.	Price No.
Cable conduit (Al)	PG 9/1	14440

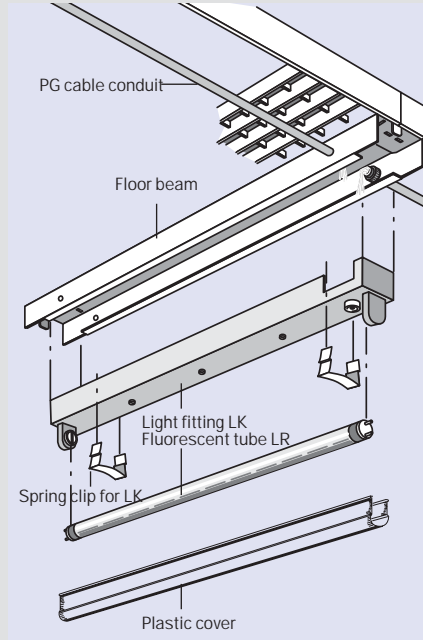


# Lighting equipment for multi-tier shelving installations

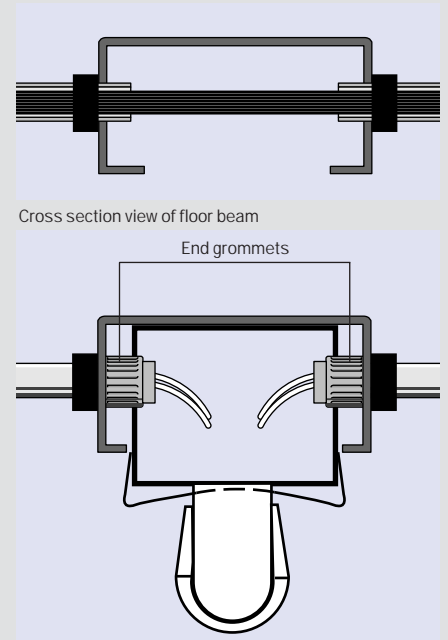
Good mezzanine lighting independent of other light sources in the warehouse is essential. SSI SCHAEFER mezzanine lighting equipment consists exclusively of modular lighting.

To ensure uniform lighting, a fluorescent light is fitted across the aisles at every alternate bay. They are integrated into the floor supporting structure and thus substantially protected against impact.

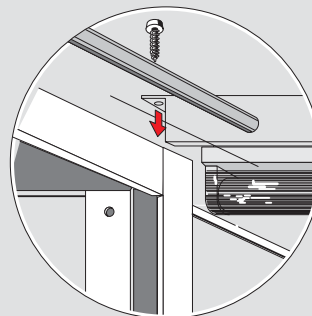
The arrangement transverse to the direction of the gangway allows undisturbed access to the upper shelves and provides the store personnel with a clear view of the stored material. All the supporting sections in the intermediate gangways are designed to take commercial PG 9/1 conduit or other installation material.



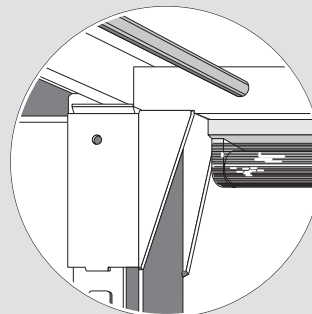
Supporting section prepared for wiring



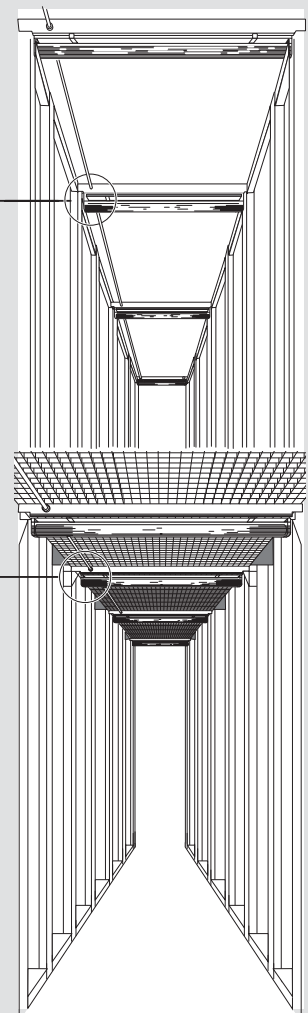
Cable ducting in PG 9/1 conduit



Light fitting mounted at upper floor shelving without brackets



Light fitting mounted below mezzanine inside floor beams of the aisles.



Order information for mezzanine lighting equipment is available in the accessories section on Page 44

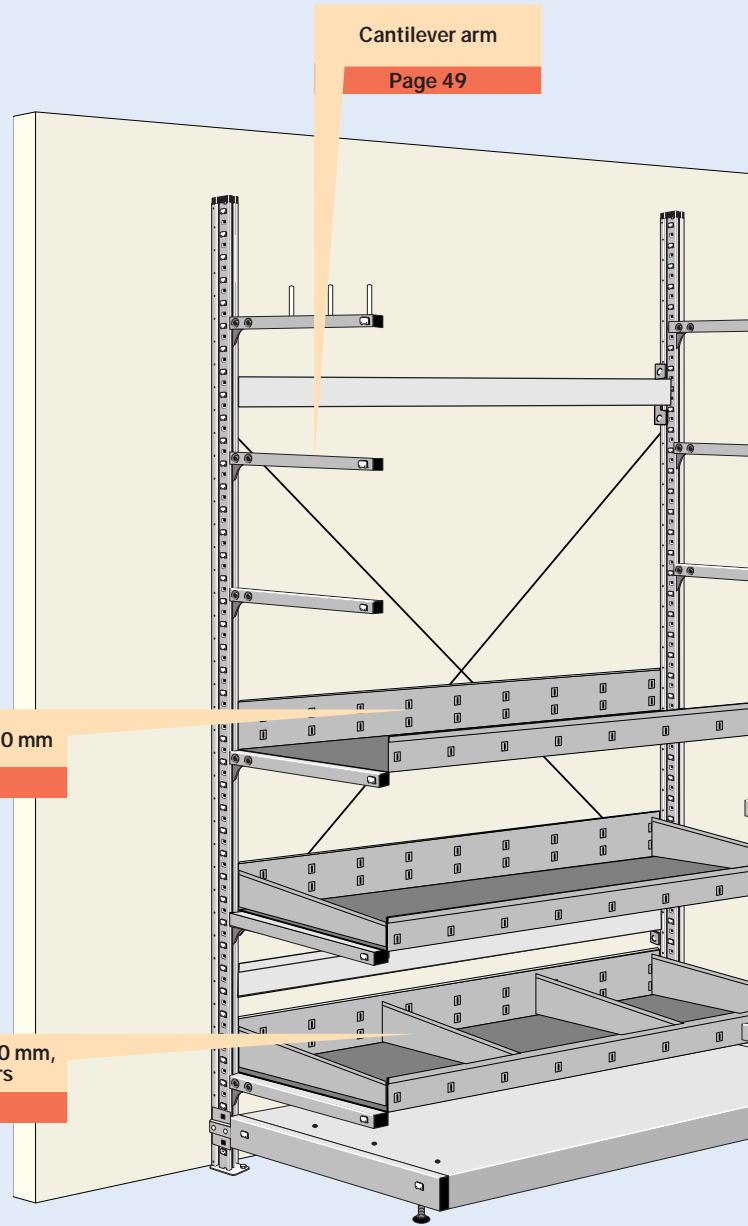


# R 3000 – Free-standing racks

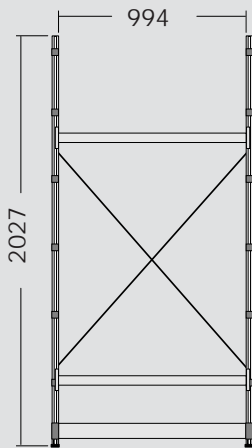
Free-standing racks are designed for the storage of high-turnover items. The basic configuration allows for loads of up to 300 kg per single sided unit. Cantilever brackets can be installed at intervals of 53 mm and at an angle of 10°.

They may be equipped with tube dividers, or serve as support for dividing shelves and storage trays. Storage levels for starter units are designed for a load capacity of 100 kg.

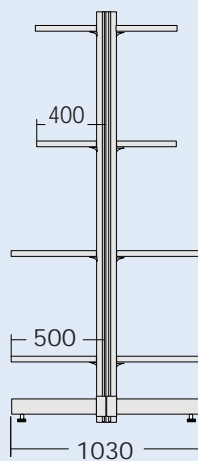
Double-sided cantilever racks are constructed by placing two single-sided racks back-to-back. Adjacent support uprights are connected with 3 frame connectors of 30 mm distance for additional stability. Cantilever racks may of course also be configured as extension system using starter and extension bays. Load capacities specified for each bay must be reduced accordingly.



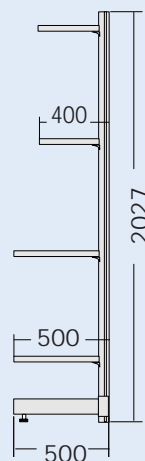
Dimensions of free-standing racks



Dimensions of starter unit

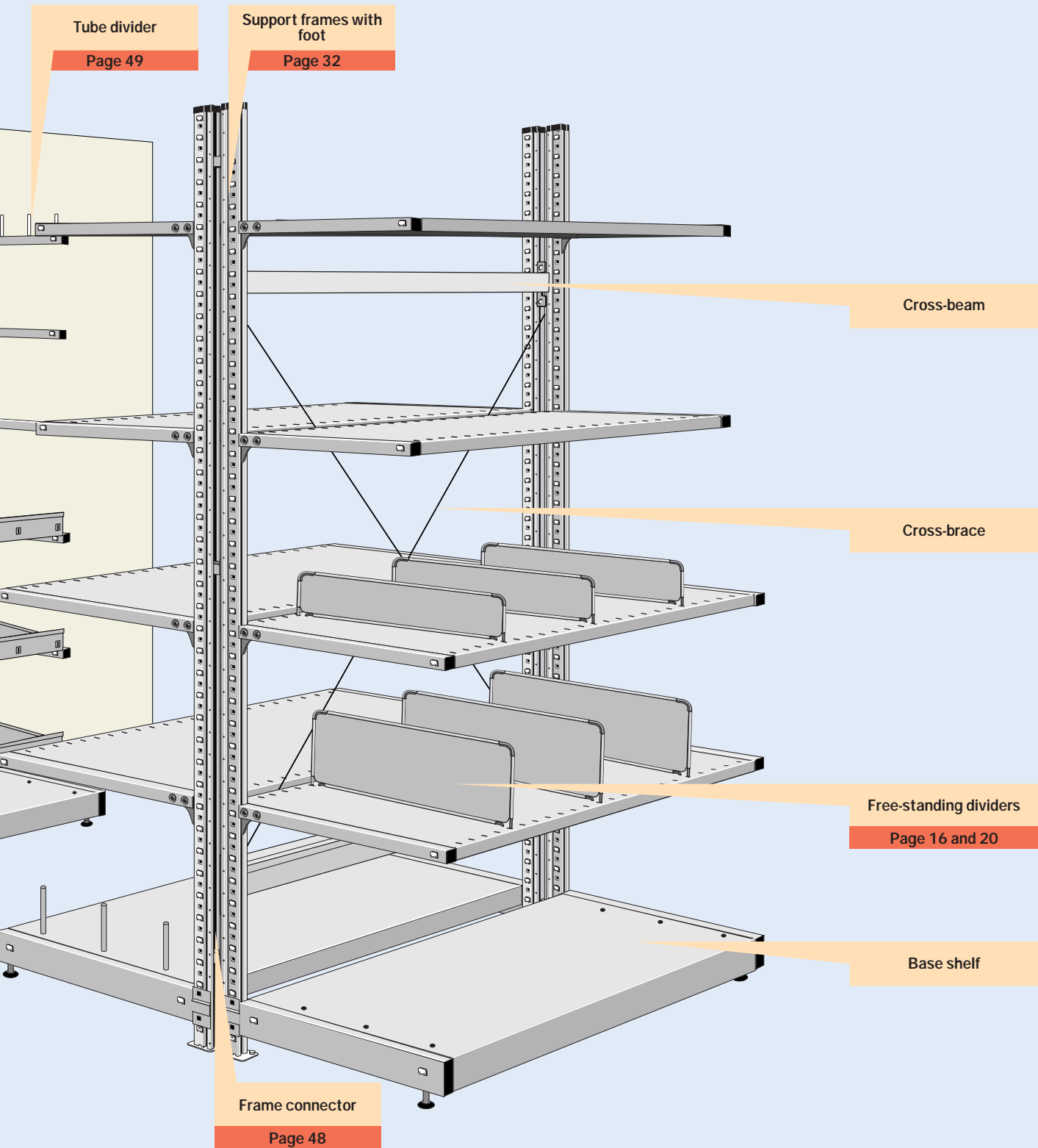


Double sided unit

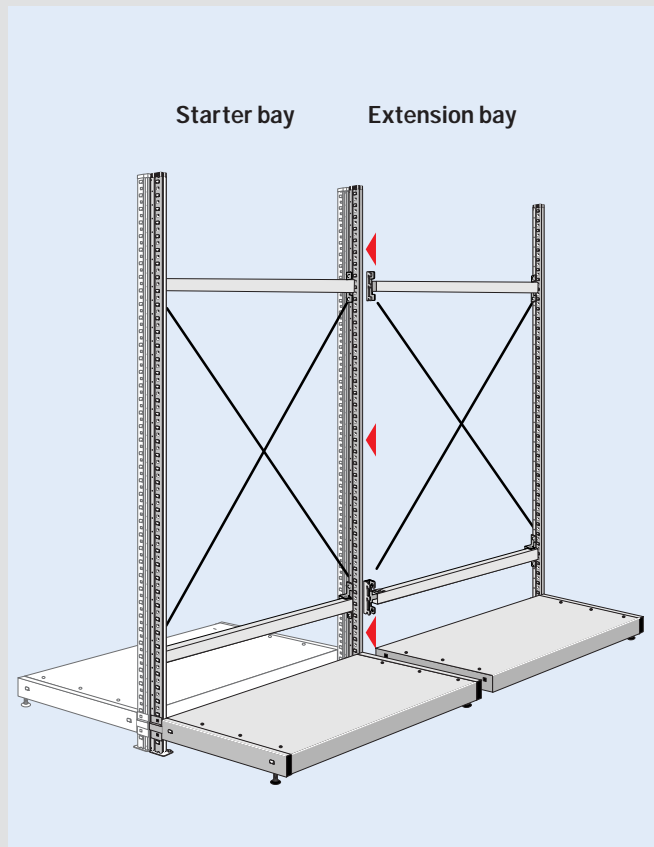


Single sided unit





# Free-standing rack components



## Free-standing racks, starter bay

2 uprights with foot, single-sided, 2 tie-bars,  
1 cross-brace, 1 base shelf

Order No.	Price No.
FR 31020 G	145690

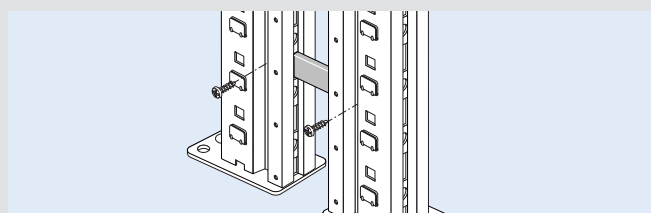
## Free-standing racks, extension bay

1 upright with foot, single-sided, 2 tie-bars,  
1 cross-brace, 1 base shelf

Order No.	Price No.
FR 31020 A	145700

**Free-standing racks with bay width of 1282 mm available to order**

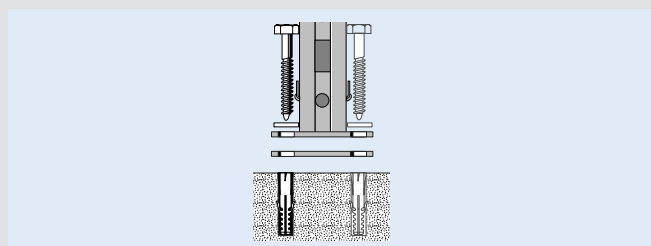
The free-standing rack consists of support uprights, tie-bars, cross-braces and cantilever arms with additional tube dividers, dividing shelves and storage trays. The upright is a roll-formed special profile section. The tapered grooves on both facing sides of the roll-formed special profile section of the upright provide a firm attachment point for tie-bars, while cantilever arms can be fitted in any position (in steps of 53 mm) using the lugs in the groove on the upright section. These freely-positionable lugs also permit the attachment of cross-braces and shelf connectors.



## Frame connector

Sheet steel, galvanized finish. For the connection of double-sided shelf bays. Incl. fittings

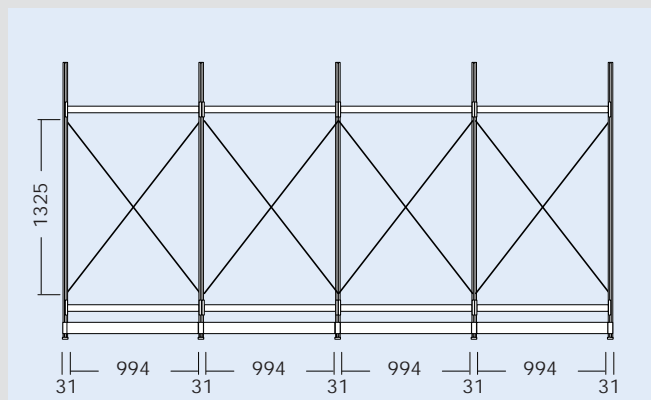
Frame clearance 30 mm	Order No. RV 3030	Price No. 147090
--------------------------	----------------------	---------------------



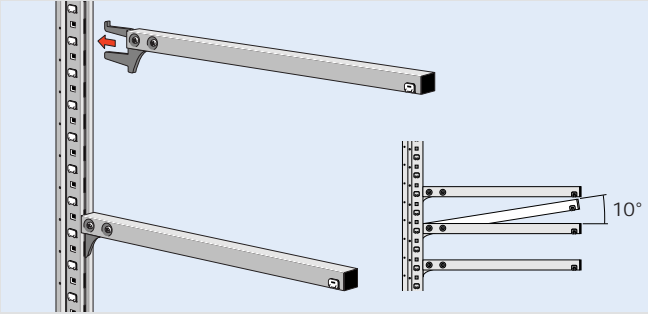
## Floor fixings BF 3000

For securing uprights to the floor.  
Consisting of bolts, plugs and washers.

Floor fixings BF 3000	Order No. BF 3000	Price No. 145710
-----------------------	----------------------	---------------------

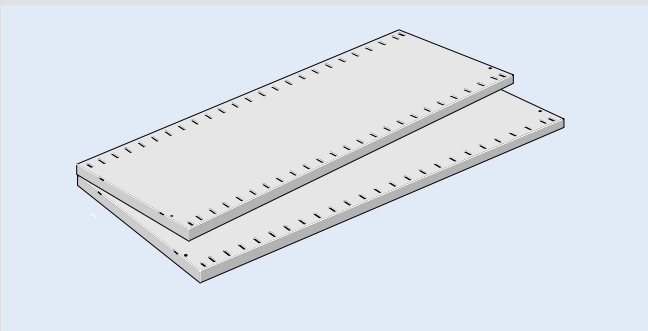


# Accessories for Free-standing racks



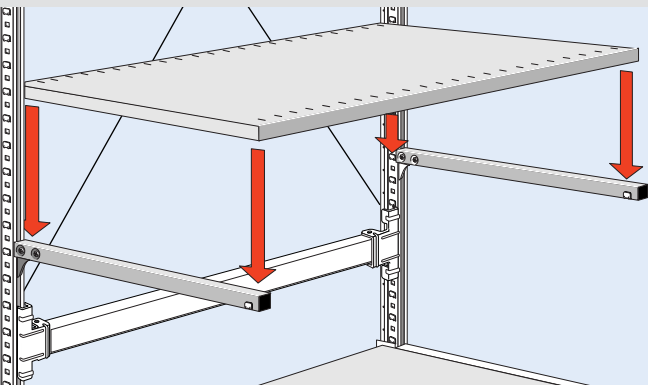
**Cantilever arms**, sheet steel, galvanized finish. Designed to support dividing shelves and storage trays. Load capacity 50 kg.

Cantilever arm	Order No.	Price No.
400 mm	KK 34050	145740
500 mm	KK 35050	145760

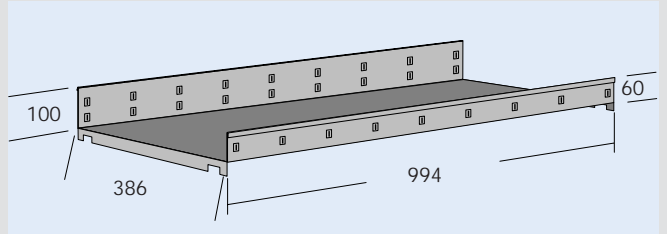


**Dividing shelves, height 30 mm, bay length 994 mm**  
 Sheet steel, painted light silver, 30 mm high. The panels are fitted with rows of slots spaced 41 mm apart, for inserting free-standing dividers to provide longitudinal partition.  
**No e** The max. load is only available in the basic bay configuration.

Shelf depth	Max. load	Order No.	Price No.
400 mm	100 kg	ZB 4413	27010
500 mm	100 kg	ZB 4513	27030



How to fit dividing shelves

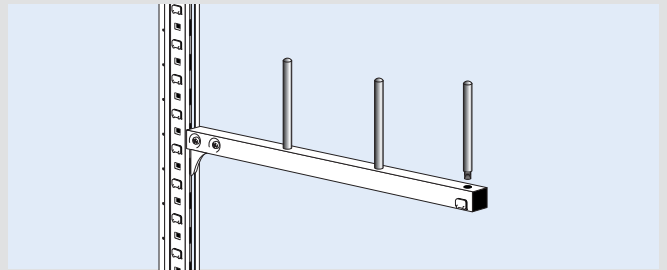


**Storage tray 400 mm**, (internal width 386 mm) sheet steel, galvanized finish. Load capacity 50 kg per storage level.

	Order No.	Price No.
Storage tray, 400 mm	LW 31010	145790

**Divider**  
 Sheet steel, galvanized finish.

	Order No.	Price No.
Divider, 1 item, galvanized finish	LWT 386	11270



**Tube divider**  
 Steel, galvanized finish.  
 Tube divider for division of cantilever arms.

	Order No.	Price No.
Tube divider	AST 3100	145770

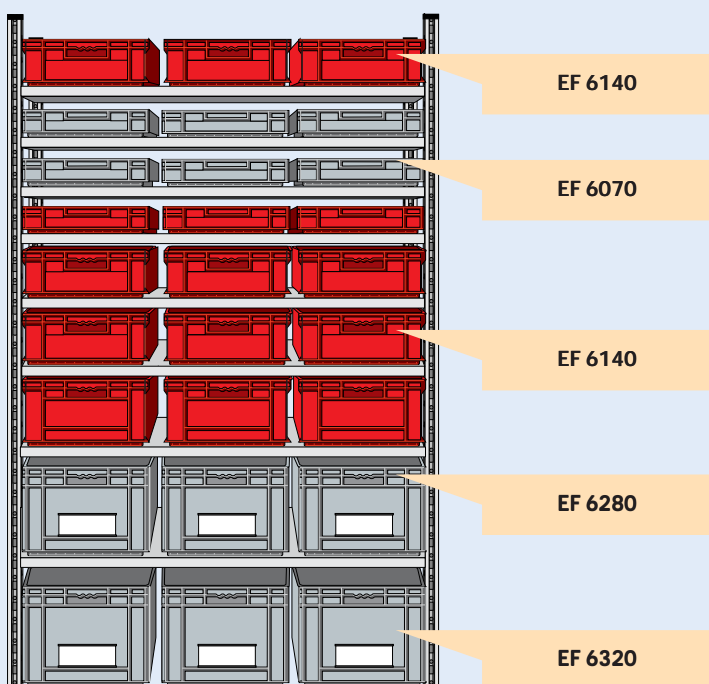
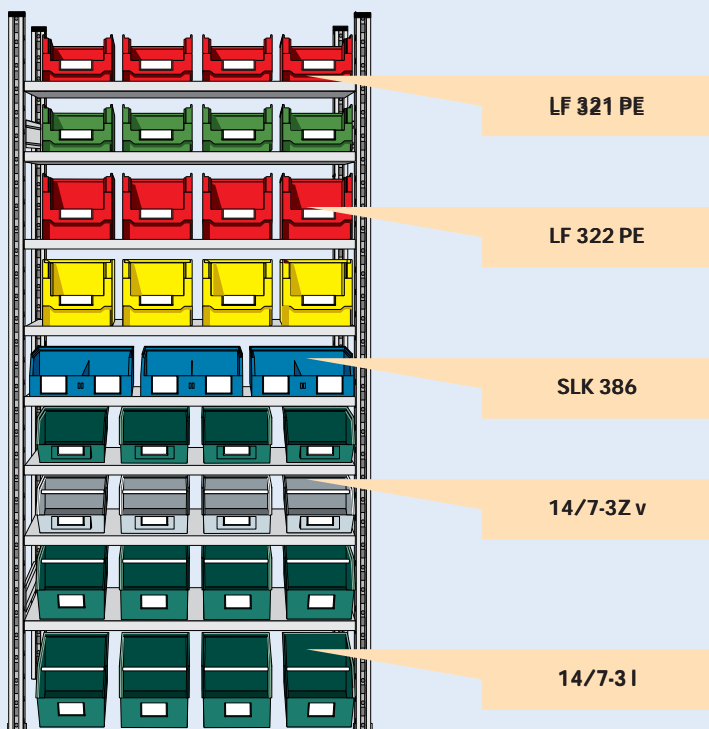
Further accessories available to order

# The R 3000 with SCHAEFER storage bins – a winning combination

SSI SCHAEFER storage bins are designed for trouble-free integration with – and to provide an ideal addition to – any shelving system.

Thanks to their dimensions, which allow them to be stacked on top of one another, they can be used individually in each shelf bay, and can be combined regardless of the purpose of each one – regardless of whether they are being used on upper shelves, single or multi-level mezzanine floor systems or in a fully-automatic small-parts store – SSI SCHAEFER storage bins make for perfect warehousing.

## Each item matches



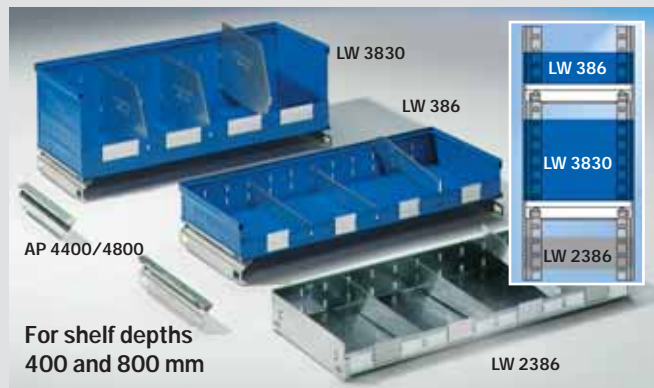


You will find details of the full range of SSI SCHAEFER  
storage bins and containers in the catalogue:  
*or e or er ic i r or co i er*

# Storage Trays for 995 mm Bay Width

These practical storage trays are always compatible with the width of the bay. Channelled profiles around the upper rims enable the trays to be stacked one upon the other.

The LW 2386 tray locates directly on the upright lugs. All other storage trays are positioned either on the shelves or on galvanized supporting profiles which also locate on the upright lugs.



**LW 386**, storage tray, steel, painted blue, subdividable in 12 compartments.

		Order No.	Price No.
LW 386 storage tray	W 980 x D 386 x H 120 mm	<b>LW 386</b>	<b>11260</b>
Divider	1 item, galvanized finish	<b>LWT 386</b>	<b>11270</b>
Shelf section	1 pair	<b>AP 4400/4800</b>	<b>28010</b>
Label holder	W 75 mm, 50/each	<b>EHK 75</b>	<b>15180</b>
Labels	W 75 mm, 100/each	<b>EHKE 75</b>	<b>15190</b>

**LW 3830**, storage tray, steel, painted blue, subdividable in 12 compartments.

		Order No.	Price No.
LW 3830 storage tray	W 980 x D 386 x H 300 mm	<b>LW 3830</b>	<b>11810</b>
Divider	1 item, galvanized finish	<b>LWT 3830</b>	<b>11820</b>
Shelf section	1 pair	<b>AP 4400/4800</b>	<b>28010</b>
Label holder	W 75 mm, 50/each	<b>EHK 75</b>	<b>15180</b>
Labels	W 75 mm, 100/each	<b>EHKE 75</b>	<b>15190</b>
Label holder	W 85 mm, 50/each	<b>EHK 85</b>	<b>14610</b>
Labels	W 85 mm, 100/each	<b>EHKE 85</b>	<b>14630</b>

**LW 2386**, storage tray, galvanized finish steel, for direct hanging on lugs, subdividable in 12 compartments.

		Order No.	Price No.
LW 2386 storage tray	W 980 x D 386 x H 100 mm	<b>LW 2386</b>	<b>18210</b>
Divider	1 item, galvanized finish	<b>LWT 2386</b>	<b>18220</b>
Label holder	W 75 mm, 50/each	<b>EHK 75</b>	<b>15180</b>
Labels	W 75 mm, 100/each	<b>EHKE 75</b>	<b>15190</b>

**LW 2386-M**, storage tray, galvanized finish, subdividable in 12 compartments.

		Order No.	Price No.
LW 2386-M storage tray	W 981 x D 386 x H 100 mm	<b>LW 2386-M</b>	<b>18280</b>
Divider	1 item, galvanized finish	<b>LWT 2386-M</b>	<b>18290</b>
Label holder	W 75 mm, 50/each	<b>EHK 75</b>	<b>15180</b>
Labels	W 75 mm, 100/each	<b>EHKE 75</b>	<b>15190</b>

**LW 512-Z**, storage tray, galvanized finish, subdividable in 12 compartments.

		Order No.	Price No.
LW 512-Z storage tray	W 981 x D 486 x H 100 mm	<b>LW 512-Z</b>	<b>16190</b>
Divider	1 item, galvanized finish	<b>LWT 512-Z</b>	<b>16250</b>
Label holder	W 75 mm, 50/each	<b>EHK 75</b>	<b>15180</b>
Labels	W 75 mm, 100/each	<b>EHKE 75</b>	<b>15190</b>



**LW 512**, storage tray, steel, painted blue, subdividable in 12 compartments.

		Order No.	Price No.
LW 512 storage tray	W 980 x D 486 x H 120 mm	<b>LW 512</b>	<b>14670</b>
Divider	1 item, galvanized finish	<b>LWT 512</b>	<b>14680</b>
Shelf section	1 pair	<b>AP 4500</b>	<b>14690</b>
Label holder	W 75 mm, 50/each	<b>EHK 75</b>	<b>15180</b>
Labels	W 75 mm, 100/each	<b>EHKE 75</b>	<b>15190</b>

**LW 530**, storage tray, steel, painted blue, subdividable in 12 compartments.

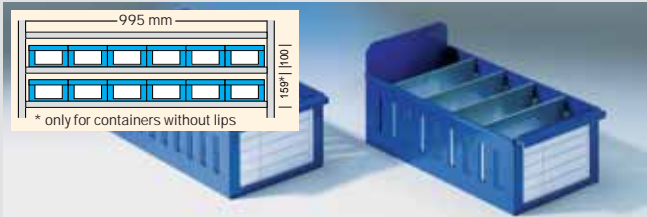
		Order No.	Price No.
LW 530 storage tray	W 980 x D 500 x H 300 mm	<b>LW 530</b>	<b>14650</b>
Divider	1 item, galvanized finish	<b>LWT 530</b>	<b>14660</b>
Shelf section	1 pair	<b>AP 4500</b>	<b>14690</b>
Label holder	W 75 mm, 50/each	<b>EHK 75</b>	<b>15180</b>
Labels	W 75 mm, 100/each	<b>EHKE 75</b>	<b>15190</b>
Label holder	W 85 mm, 50/each	<b>EHK 85</b>	<b>14610</b>
Labels	W 85 mm, 100/each	<b>EHKE 85</b>	<b>14630</b>
Label holder	W 135 mm, 50/each	<b>EHK 135</b>	<b>14620</b>
Labels	W 135 mm, 100/each	<b>EHKE 135</b>	<b>14640</b>



# Shelf Containers for Shelf Depths of 300, 400 and 500 mm

SCHAEFER shelf containers have been especially developed for SSI SCHAEFER modular shelving systems. Made from impact resistant polystyrene or steel, they can be supplied with labels, dividers and accessories. The number of containers per shelf is

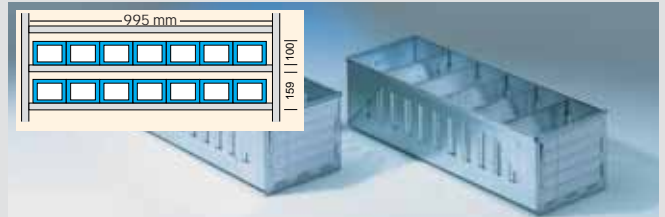
indicated in the tables below. The dimensions in the diagrams are based on the R 4000 system, with a bay width of 995 mm. The lower figure on the side gives the distance between the shelves, the upper figure, the container height.



For shelf depth 300 mm

**RK 301**, painted blue, subdividable into 10 compartments, 6 containers per shelf.

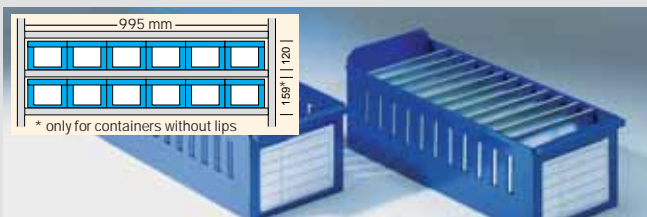
		Order No.	Price No.
Container RK 301	L 300 x W 160 x H 100 mm	<b>RK 301</b>	<b>11550</b>
Labels for front	100/each	<b>RKE 386</b>	<b>11190</b>
Protective foil	100/each	<b>RKF 386</b>	<b>11920</b>
Divider	1 item, galvanized finish	<b>RKT 335</b>	<b>11150</b>



For shelf depth 400 mm

**RK 2386**, steel, galvanized finish, subdividable into 12 compartments, 7 containers per shelf.

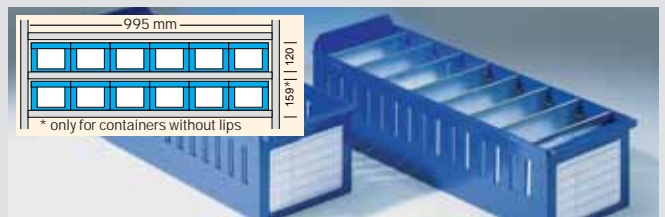
		Order No.	Price No.
Container RK 2386	L 385 x W 130 x H 100 mm	<b>RK 2386</b>	<b>18240</b>
Labels for front	100/each	<b>RKE 2386</b>	<b>11560</b>
Protective foil	100/each	<b>RKF 2386</b>	<b>11570</b>
Divider	1 item, galvanized finish	<b>RKT 2386</b>	<b>18250</b>



For shelf depth 400 mm

**RK 386**, painted blue, subdividable into 12 compartments, 6 containers per shelf.

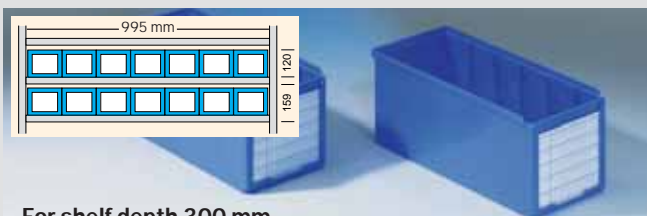
		Order No.	Price No.
Container RK 386	L 385 x W 160 x H 120 mm	<b>RK 386</b>	<b>11170</b>
Labels for front	100/each	<b>RKE 386</b>	<b>11190</b>
Protective foil	100/each	<b>RKF 386</b>	<b>11920</b>
Divider	1 item, galvanized finish	<b>RKT 386</b>	<b>11180</b>



For shelf depth 500 mm

**RK 512**, steel, painted blue, subdividable into 16 compartments, 6 containers per shelf.

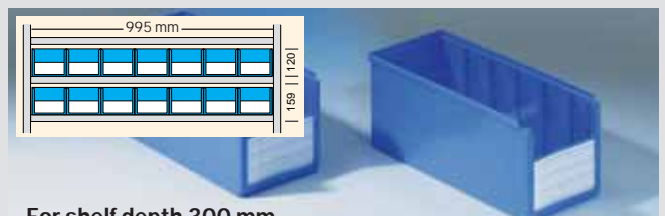
		Order No.	Price No.
Container RK 512	L 486 x W 160 x H 120 mm	<b>RK 512</b>	<b>16210</b>
Labels for front	100/each	<b>RKE 386</b>	<b>11190</b>
Protective foil	100/each	<b>RKF 386</b>	<b>11920</b>
Divider	1 item, galvanized finish	<b>RKT 512</b>	<b>16340</b>



For shelf depth 300 mm

**RK 300**, blue polyethylene, subdividable into 6 compartments, 7 containers per shelf.

		Order No.	Price No.
Container RK 300	L 300 x W 135 x H 120 mm	<b>RK 300</b>	<b>14710</b>
Labels	100/each	<b>RKE 300</b>	<b>21700</b>
Protective foil	100/each	<b>RKF 300</b>	<b>21710</b>
Divider	1 item	<b>RKT 300</b>	<b>14720</b>

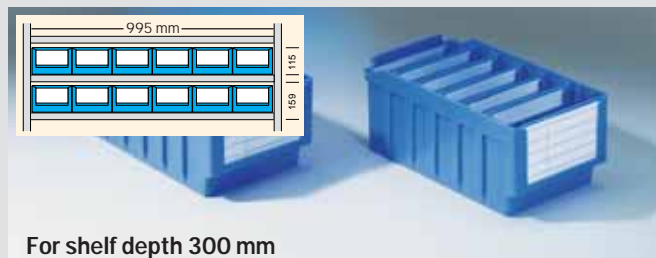


For shelf depth 300 mm

**RK 300 HO**, blue polyethylene, semiopen front, subdividable into 6 compartments, 7 containers per shelf.

		Order No.	Price No.
Container RK 300 HO	L 300 x W 135 x H 120 mm	<b>RK 300 HO</b>	<b>14870</b>
Labels	100/each	<b>RKE 300 HO</b>	<b>21720</b>
Protective foil	100/each	<b>RKF 300 HO</b>	<b>21730</b>
Divider	1 item	<b>RKT 300</b>	<b>14720</b>

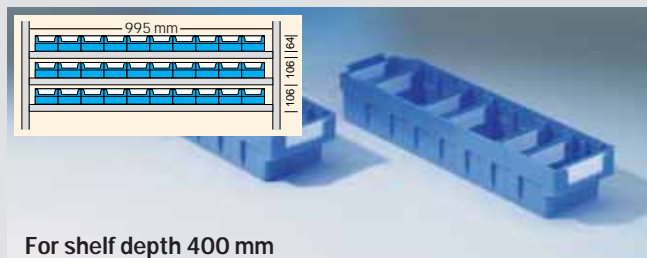
# Shelf Containers for Shelf Depths of 300, 400 and 500 mm



For shelf depth 300 mm

**RK 321**, blue polystyrene, subdivisible into 6 compartments, 6 containers per shelf.

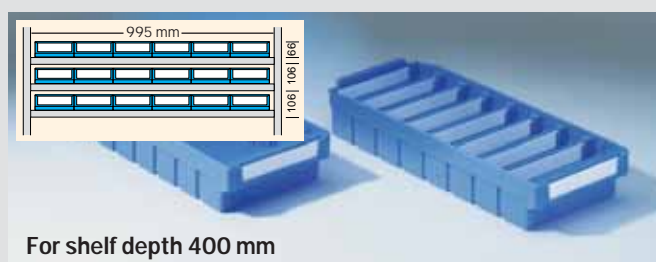
		Order No.	Price No.
Container RK 321	L 290 x W 162 x H 115 mm	<b>RK 321</b>	<b>1670</b>
Labels for front	100/each	<b>RKE 321</b>	<b>1720</b>
Protective foil	100/each	<b>RKF 321</b>	<b>1790</b>
Divider	1 item	<b>RKT 321</b>	<b>1680</b>
Labels for Divider	100/each	<b>RKE 500 N</b>	<b>1740</b>
Protective foil	100/each	<b>RKF 500 N</b>	<b>1800</b>



For shelf depth 400 mm

**RK 400 S**, blue polystyrene, subdivisible into 8 compartments, 10 containers per shelf.

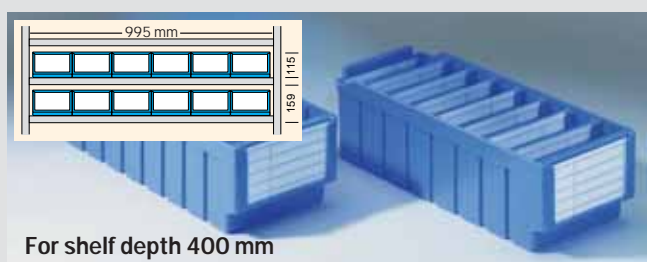
		Order No.	Price No.
Container RK 400 S	L 390 x W 97 x H 64 mm	<b>RK 400 S</b>	<b>17980</b>
Labels for front	100/each	<b>RKE 400 S</b>	<b>1730</b>
Protective foil	100/each	<b>RKF 400 S</b>	<b>1810</b>
Divider	1 item	<b>RKT 400 S</b>	<b>17990</b>
Labels for Divider	100/each	<b>RKE 400 S</b>	<b>1730</b>
Protective foil	100/each	<b>RKF 400 S</b>	<b>1810</b>



For shelf depth 400 mm

**RK 400**, blue polystyrene, subdivisible into 8 compartments, 6 containers per shelf.

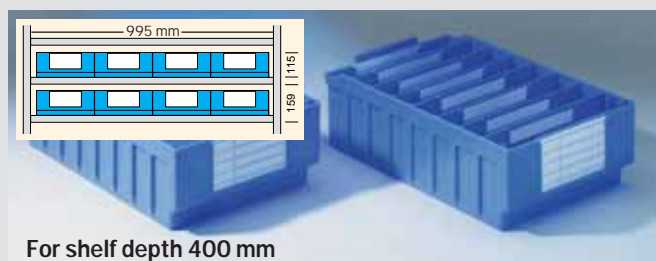
		Order No.	Price No.
Container RK 400	L 408 x W 162 x H 66 mm	<b>RK 400</b>	<b>17900</b>
Labels for front	100/each	<b>RKE 500 N</b>	<b>1740</b>
Protective foil	100/each	<b>RKF 500 N</b>	<b>1800</b>
Divider	1 item	<b>RKT 400</b>	<b>17910</b>
Labels for Divider	100/each	<b>RKE 400</b>	<b>17920</b>
Protective foil	100/each	<b>RKF 400</b>	<b>17930</b>



For shelf depth 400 mm

**RK 421**, blue polystyrene, subdivisible into 8 compartments, 6 containers per shelf.

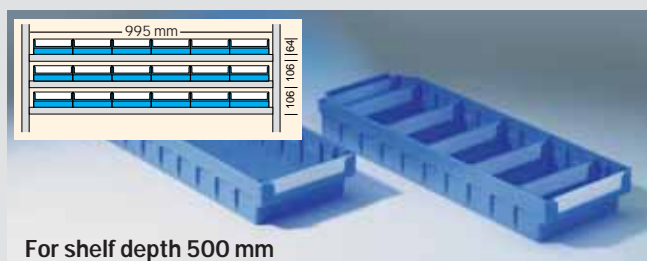
		Order No.	Price No.
Container RK 421	L 408 x W 162 x H 115 mm	<b>RK 421</b>	<b>16900</b>
Labels for front	100/each	<b>RKE 321</b>	<b>1720</b>
Protective foil	100/each	<b>RKF 321</b>	<b>1790</b>
Divider	1 item	<b>RKT 5/421</b>	<b>16920</b>
Labels for Divider	100/each	<b>RKE 400</b>	<b>17920</b>
Protective foil	100/each	<b>RKF 400</b>	<b>17930</b>



For shelf depth 400 mm

**RK 421 B**, blue polystyrene, subdivisible into 8 compartments, 4 containers per shelf.

		Order No.	Price No.
Container RK 421 B	L 390 x W 243 x H 115 mm	<b>RK 421 B</b>	<b>1560</b>
Labels for front	100/each	<b>RKE 321</b>	<b>1720</b>
Protective foil	100/each	<b>RKF 321</b>	<b>1790</b>
Divider	1 item	<b>RKT 5/421 B</b>	<b>1570</b>
Labels for Divider	100/each	<b>RKE 500 N</b>	<b>1740</b>
Protective foil	100/each	<b>RKF 500 N</b>	<b>1800</b>



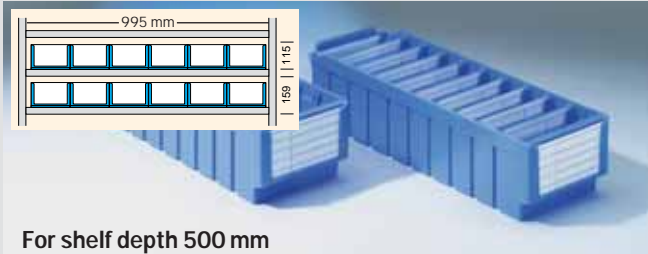
For shelf depth 500 mm

**RK 500 N**, blue polystyrene, subdivisible into 10 compartments, 6 containers per shelf.

		Order No.	Price No.
Container RK 500 N	L 490 x W 162 x H 64 mm	<b>RK 500 N</b>	<b>1580</b>
Labels for front	100/each	<b>RKE 500 N</b>	<b>1740</b>
Protective foil	100/each	<b>RKF 500 N</b>	<b>1800</b>
Divider	1 item	<b>RKT 500 N</b>	<b>1590</b>
Labels for Divider	100/each	<b>RKE 500 N</b>	<b>1740</b>
Protective foil	100/each	<b>RKF 500 N</b>	<b>1800</b>



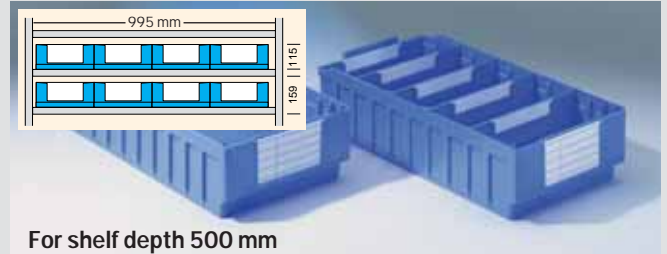
# Shelf Containers for Shelf Depths of 500 and 600 mm



For shelf depth 500 mm

**RK 521**, blue polystyrene, subdividable into 10 compartments, 6 containers per shelf.

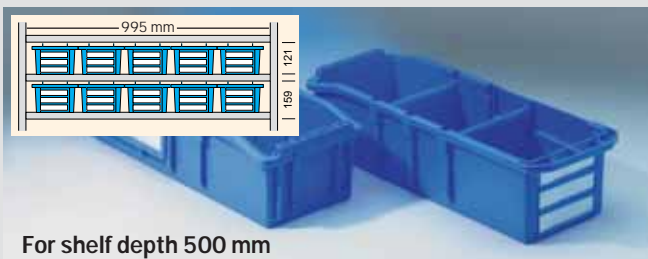
		Order No.	Price No.
Container RK 521	L 508 x W 162 x H 115 mm	<b>RK 521</b>	<b>16910</b>
Labels for front	100/each	<b>RKE 321</b>	<b>1720</b>
Protective foil	100/each	<b>RKF 321</b>	<b>1790</b>
Divider	1 item	<b>RKT 5/421</b>	<b>16920</b>
Labels for Divider	100/each	<b>RKE 400</b>	<b>17920</b>
Protective foil	100/each	<b>RKF 400</b>	<b>17930</b>



For shelf depth 500 mm

**RK 521 B**, blue polystyrene, subdividable into 10 compartments, 4 containers per shelf.

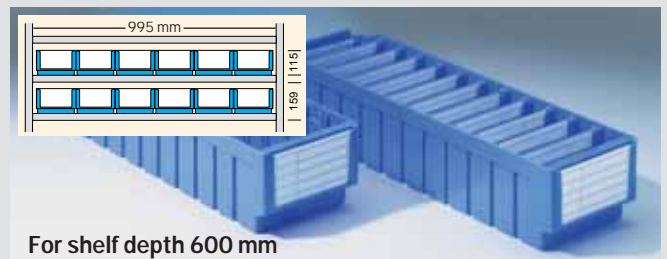
		Order No.	Price No.
Container RK 521 B	L 490 x W 243 x H 115 mm	<b>RK 521 B</b>	<b>1550</b>
Labels for front	100/each	<b>RKE 321</b>	<b>1720</b>
Protective foil	100/each	<b>RKF 321</b>	<b>1790</b>
Divider	1 item	<b>RKT 5/421 B</b>	<b>1570</b>
Labels for Divider	100/each	<b>RKE 500 N</b>	<b>1740</b>
Protective foil	100/each	<b>RKF 500 N</b>	<b>1800</b>



For shelf depth 500 mm

**RK 522**, blue polypropylene, stackable, subdividable into 4 compartments, 5 containers per shelf.

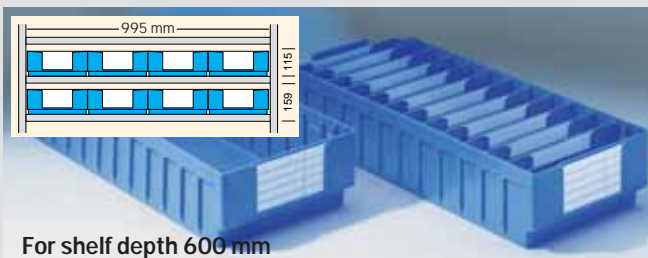
		Order No.	Price No.
Container RK 522	L 520 x W 190 x H 121 mm	<b>RK 522 PP</b>	<b>1870</b>
Labels for front	100/each	<b>RKE 522 S</b>	<b>4520</b>
Protective foil	100/each	<b>RKF 522 S</b>	<b>4530</b>
Labels for long side	100/each	<b>RKE 522 L</b>	<b>4500</b>
Protective foil	100/each	<b>RKF 522 L</b>	<b>4510</b>
Divider	1 item	<b>RKT 522 PP</b>	<b>1880</b>



For shelf depth 600 mm

**RK 621**, blue polystyrene, subdividable into 12 compartments, 6 containers per shelf.

		Order No.	Price No.
Container RK 621	L 590 x W 162 x H 115 mm	<b>RK 621</b>	<b>1890</b>
Labels for front	100/each	<b>RKE 321</b>	<b>1720</b>
Protective foil	100/each	<b>RKF 321</b>	<b>1790</b>
Divider	1 item	<b>RKT 5/421</b>	<b>16920</b>
Labels for Divider	100/each	<b>RKE 400</b>	<b>17920</b>
Protective foil	100/each	<b>RKF 400</b>	<b>17930</b>



For shelf depth 600 mm

**RK 621 B**, blue polystyrene, subdividable into 12 compartments, 4 containers per shelf.

		Order No.	Price No.
Container RK 621 B	L 590 x W 243 x H 115 mm	<b>RK 621 B</b>	<b>1900</b>
Labels for front	100/each	<b>RKE 321</b>	<b>1720</b>
Protective foil	100/each	<b>RKF 321</b>	<b>1790</b>
Divider	1 item	<b>RKT 5/421 B</b>	<b>1570</b>
Labels for Divider	100/each	<b>RKE 500 N</b>	<b>1740</b>
Protective foil	100/each	<b>RKF 500 N</b>	<b>1800</b>

Details of numerous other containers and boxes  
for equipping the R 3000 shelving system  
are available in the catalogue:  
*o r e o r e r i c i r o r c o i e r*

# Subsidiaries in other countries

## EUROPE

### GERMANY

FRITZ SCHÄFER GMBH  
Fritz-Schäfer-Str. 20  
D-57290 Neunkirchen  
Phone +49 / 27 35 / 70-1  
Fax +49 / 27 35 / 70-5 76  
e-mail: info@ssi-schaefer.de

### BELGIUM

SSI SCHÄFER N.V./S.A.  
Excelsiorlaan 14  
B-1930 Zaventem  
Phone +32 / (0)2 / 725 02 40  
Fax +32 / (0)2 / 725 43 10  
e-mail: info@ssi-schaefer.be

### FRANCE

SSI SCHAEFER S.A.  
2, rue du Canal – Basse-Ham  
BP 30089  
F-57973 Yutz Cedex  
Phone +33 / 3 / 82 59 14 70  
Fax +33 / 3 / 82 56 20 11  
e-mail: info@ssi-schaefer.fr

### SSI Schaefer

Département ENVIRONNEMENT  
BP 92  
F-77314 Marne-la-Vallée cedex 2  
Phone +33 / 1 / 64 11 20 01  
Fax +33 / 1 / 60 05 01 09

### GREAT BRITAIN

SSI SCHAEFER LTD.  
83/84 Livingstone Road  
Walworth Industrial Estate  
GB-Andover, Hants. SP10 5OZ  
Phone +44 / 12 64 / 38 66 00  
Fax +44 / 12 64 / 38 66 11  
e-mail: solutions@ssi-schaefer.co.uk

### ITALY

SSI SCHÄFER SYSTEMS ITALIA S.r.l.  
Via De Rolandi, 7  
I-20156 Milano  
Phone +39 / 02 / 39 25 72 19  
Fax +39 / 02 / 39 25 72 43  
e-mail: info@ssi-schaefer.it

### NETHERLANDS

SSI SCHÄFER B.V.  
Delta 100  
NL-6825 MV Arnhem  
Phone +31 / 26 / 3 63 57 50  
Fax +31 / 26 / 3 64 40 22  
e-mail: Info@ssi-schaefer.nl

### AUSTRIA

SSI SCHÄFER GES.M.B.H.  
Etrichstraße 7  
A-4600 Wels/O.Ö.  
Phone +43 / 72 42 / 4 91-0  
Fax +43 / 72 42 / 4 91-40  
e-mail: ssi@ssi-schaefer.co.at

### POLAND

SSI Schäfer Sp. z o.o.  
ul. Okretowa 23  
PL-01-309 Warszawa  
Phone + Fax +48 / 22 / 6 65 94 06  
Komertel. +48 / 39 / 12 19 98  
e-mail: ssi-schaefer@ssi-schaefer.pl

### SWEDEN

SSI Schäfer System International AB  
Bronsåldersgatan 9  
Box 9027  
S-200 39 Malmö  
Phone +46 / 40 / 671 52 40  
Fax +46 / 40 / 94 47 84  
e-mail: info@ssi-schaefer.se

### SWITZERLAND

SSI SCHÄFER AG  
Schaffhauserstraße 10  
CH-8213 Neunkirch/SH  
Phone +41 / 52 / 6 87 32 32  
Fax +41 / 52 / 6 87 32 90  
e-mail: ssi-info@ssi-schaefer.ch

### SPAIN

SCHÄFER SISTEMAS INTERNACIONAL, S.L.  
CITYPARC, Edificio ROMA 1º  
Ctra. de L'Hospitalet, 147-149  
E-08940 CORNELLA DE LLOBREGAT  
BARCELONA  
Phone +34 / 93 / 4 75 17 17  
Fax +34 / 93 / 4 75 17 18  
e-mail: schaefer@ssi-schaefer.es

### CZECH REPUBLIC

SSI SCHÄFER s.r.o.  
Generála Klapálka 2723  
CZ-27201 Kladno II  
Phone +4 20 / 3 12 / 66 25 94 - 5  
Fax +4 20 / 3 12 / 66 25 93  
e-mail: prodej@ssi-schaefer.cz

### SSI Schäfer s.r.o.

Tovární 325  
CZ-75301 Hranice  
Phone +4 20 / 6 42 / 29 82 11  
Fax +4 20 / 6 42 / 20 67 32  
e-mail: info@ssi-schaefer.cz

### HUNGARY

SSI SCHÄFER KFT  
Szeszgyár u. 4. IV  
H-1086 Budapest  
Phone +36 / 1 / 4 59 30 80  
Fax +36 / 1 / 4 59 30 93  
e-mail: Info@ssi.hu

## NORTH-AMERICA

### USA

SSI SCHAEFER SYSTEMS INT. INC.  
P. O. Box 7009  
10021 Westlake Drive  
USA-Charlotte, N.C. 28241  
Phone +1 / 7 04 / 9 44 45 00  
Fax +1 / 7 04 / 5 88 18 62  
e-mail: general@ssi.schaefer-us.com

### CANADA

SSI SCHAEFER SYSTEM INT. LTD.  
140 Nuggett Court  
CDN-Brampton, Ontario L6T 5H4  
Phone +1 / 9 05 / 4 58 53 99  
Fax +1 / 9 05 / 4 58 79 51  
e-mail: sales@ssi-schaefer.com

## SOUTH-AMERICA

### BRAZIL

SSI SCHAEFER LTDA.  
Rua Beira Rio, 57-7º andar  
Vila Funchal  
BR-04548-050 São Paulo - SP  
Phone +55 / 11 / 30 45 13 80  
Fax +55 / 11 / 30 45 13 89  
e-mail: noell@noell.com.br

## AUSTRALIA

Schaefer Systems International PTY. LTD.  
Unit 17, 30 Heathcote Road  
Moorebank  
NSW 2170  
Australia  
Phone +61 / 2 / 98 24 38 44  
Fax +61 / 2 / 98 24 38 55  
e-mail: schaefer@ssi.com.au

## MIDDLE-EAST

SSI Schaefer (Middle East)  
LOB 21-26 Jebel Ali  
PO Box 17314 Jebel Ali  
Dubai, United Arab Emirates  
Phone +9 71 / 4 / 8 81 47 79  
Fax +9 71 / 4 / 8 81 47 78  
e-mail: ssime@emirates.net.ae

## ASIA

### SINGAPORE (Headquarters Asia)

SCHAEFER SYSTEMS  
INTERNATIONAL PTE. LTD.  
No. 73, Tuas Ave 1  
SGP-Singapore 639512  
Phone +65 / 8 63 01 68  
Fax +65 / 8 63 02 88  
e-mail: schaefer@pacific.net.sg

### MALAYSIA

SSI SCHAEFER SYSTEMS (M) SDN BHD  
Unit 213, 217 & 218  
Kompleks Lim Foo Yong, Lot 4891  
Jalan SS 13/4, Pusat Perindustrian Subang Jaya  
47500 Subang Jaya  
Malaysia  
Phone +60 / 3 / 56 21 10 03  
Fax +60 / 3 / 56 21 10 13  
e-mail: schaefer@po.jaring.my

### SCHAEFER SYSTEMS INTERNATIONAL SDN BHD

PLO 25, Jalan SR/3  
Kawasan Perindustrian Simpang Renggam  
86200 Simpang Renggam  
Johor, Malaysia  
Phone +60 / 7 / 7 55 74 51  
Fax +60 / 7 / 7 55 71 84

### CHINA

Schaefer Systems Int'l  
Storage Systems (Kunshan) Co. Ltd  
Shanghai Hi-Tech King World  
Room 13-F West Block  
No. 668 Beijing Dong Lu, Shanghai 200001  
P.R. China  
Phone +86 / 21 / 53 08 36 78  
Fax +86 / 21 / 53 53 09 55  
e-mail: shanghai@schaefer.com.cn

### INDONESIA

PT Sistim Solusindo Internasional  
Konica Building 4th Floor  
Jalan Gunung Sahari Raya 78  
RI-Jakarta 10610, Indonesia  
Phone +62 / 21 / 4 25 76 48  
Fax +62 / 21 / 4 25 76 49  
e-mail: schaefer.id@dnet.net.id

### PHILIPPINES

SSI Schaefer Systems Philippines Inc.  
Unit 10B, Belvedere Tower  
19 San Miguel Avenue  
Ortigas Centre, 1600 Pasig City  
Metro Manila  
Philippines  
Phone +6 32 / 6 37 90 02  
Fax +6 32 / 6 38 37 71  
e-mail: sales@ssischaefer.com.ph

### THAILAND

SSI Schaefer Systems Int. Co. Ltd.  
9/15-16 Sukhumvit 63 Road  
Klongtonnuea Wattana  
TH-Bangkok 10110, Thailand  
Phone +6 62 / 3 81 83 63  
Fax +6 62 / 3 81 19 57  
e-mail: schaefer@loxinfo.co.th

## OTHER REPRESENTATIVE COMPANIES IN:

Bahrain, Brunei, Cyprus, Denmark, Egypt,  
Estonia, Finland, Greece, Hongkong,  
Iceland, Jordan, Korea, Croatia, Kuwait,  
Lebanon, Luxembourg, Latvia, Lithuania,  
Mexico, Norway, Oman, Russia, Slovakia,  
Slovenia, Taiwan, Turkey, Ukraine,  
United Arab Emirates, Vietnam

# SSI SCHAEFER – worldwide

SSI SCHAEFER recognises the importance of an international presence when offering customer-based products worldwide. SSI SCHAEFER has invested

in local subsidiaries, representatives, qualified experts and state-of-the-art production facilities with sufficient stock levels to ensure that products are al-

ways available for a first-class customer service.

**SSI SCHAEFER – a worldwide presence**



Great Britain, Andover



Austria, Wels



Czech Republic, Hranice



USA, Charlotte



Malaysia, Johor



Singapore



France, Yutz



Netherlands, Arnhem



Canada, Brampton



Switzerland, Neunkirch



Sweden, Malmö



Belgium, Zaventem



## Regional Head Office

### SINGAPORE

Schaefer Systems International Pte Ltd  
73, Tuas Avenue 1  
Singapore 639512  
Phone +65/ 6863 0168  
Fax +65/ 6863 0288  
eMail [singapore@ssi-schaefer.sg](mailto:singapore@ssi-schaefer.sg)  
[www.ssi-schaefer.sg](http://www.ssi-schaefer.sg)

### AUSTRALIA

SCHAEFER Systems International Pty Limited  
(Sydney's Office)  
8/30 Heathcote Road,  
Moorebank NSW 2170, Australia  
Phone +61/ 2/ 9824 3844  
Fax +61/ 2/ 9824 3855  
eMail [schaeferssi@schaeferssi.com.au](mailto:schaeferssi@schaeferssi.com.au)  
[www.ssi-schaefer.com.au](http://www.ssi-schaefer.com.au)

### CHINA

SSI SCHAEFER Systems International  
(Kunshan) Co., Ltd  
Room 13-F, West Block,  
Shanghai Hi-Tech King World  
668 Beijing Dong Lu, Shanghai,  
China 200001  
Phone +86/ 21/ 5308 3678  
Fax +86/ 21/ 5353 0955  
eMail [shanghai@ssi-schaefer.cn](mailto:shanghai@ssi-schaefer.cn)  
[www.ssi-schaefer.cn](http://www.ssi-schaefer.cn)

### HONG KONG

Schaefer Systems International Limited  
Unit 2609, 26/F Peninsula Tower,  
No. 538 Castle Peak Road,  
Cheung Sha Wan, Kowloon, Hong Kong  
Phone +852/ 2959 1838  
Fax +852/ 2741 8821  
eMail [schaefer@ssi-schaefer.hk](mailto:schaefer@ssi-schaefer.hk)  
[www.ssi-schaefer.hk](http://www.ssi-schaefer.hk)

### INDONESIA

PT Sistem Solusindo International  
Konica Building 5th Floor, Jalan Gunung Sa-  
hari Raya No. 78, Jakarta 10610  
Phone +62/ 21/ 425 7648  
Fax +62/ 21/ 425 7649  
eMail [indonesia@ssi-schaefer.co.id](mailto:indonesia@ssi-schaefer.co.id)  
[www.ssi-schaefer.co.id](http://www.ssi-schaefer.co.id)

### MALAYSIA

SSI Schaefer Systems (M) Sdn Bhd  
Suite G-2 N-Tatt Building  
No. 2, Jalan TP5,  
Taman Perindustrian UEP Subang Jaya  
47600 Subang Jaya, Selangor Darul Eshan  
Malaysia  
Phone +60/ 3/ 8024 6373  
Fax +60/ 3/ 8024 6273  
eMail [malaysia@ssi-schaefer.com.my](mailto:malaysia@ssi-schaefer.com.my)  
[www.ssi-schaefer.com.my](http://www.ssi-schaefer.com.my)

### MIDDLE EAST

SSI Schaefer LLC  
PO Box 37600  
Sheik Zayed Road  
Dubai, United Arab Emirates  
Phone +971/ 4/ 3400 077  
Fax +971/ 4/ 3400 078  
eMail [info@ssi-schaefer.ae](mailto:info@ssi-schaefer.ae)  
[www.ssi-schaefer.ae](http://www.ssi-schaefer.ae)

### PHILIPPINES

SSI SCHAEFER Systems Philippines Inc.  
Unit 2403-A, 24th Floor East Tower  
Philippine Stock Exchange Centre Condominium  
Exchange Road, Ortigas Centre  
1600 Pasig City, Philippines  
Phone +63/ 2/ 637 9002  
Fax +63/ 2/ 638 3771  
eMail [sales@ssi-schaefer.ph](mailto:sales@ssi-schaefer.ph)  
[www.ssi-schaefer.ph](http://www.ssi-schaefer.ph)

### THAILAND

SSI Schaefer Systems International Co., Ltd  
3904-5, 9th Floor, BB Building  
54 Sukumvit 21 Road (Asoke)  
Klong Toey Nua, Wattana  
Bangkok 10110, Thailand  
Phone +66/ 2/ 204 0205  
Fax +66/ 2/ 204 0198  
eMail [info@ssi-schaefer.co.th](mailto:info@ssi-schaefer.co.th)  
[www.ssi-schaefer.co.th](http://www.ssi-schaefer.co.th)

### VIETNAM

SCHAEFER SYSTEM INT'L PTE LTD  
Floor 7, Green House Building  
62A Pham Ngoc Thach St., Dist.3,  
HCMC, Vietnam  
Phone +84/ 8/ 820 9916  
Fax +84/ 8/ 820 9917  
eMail [sales@ssi-schaefer.vn](mailto:sales@ssi-schaefer.vn)  
[www.ssi-schaefer.vn](http://www.ssi-schaefer.vn)