

LONGSPAN RACKING SYSTEMS

2020
2021

Extract from general catalog

[ssi-schaefer.com](https://www.ssi-schaefer.com)

Chapter C



SSI SCHÄFER

Longspan racking systems



Storage and order picking are becoming increasingly complex due to the growing diversity of products.

Wherever the very high load capacities of a pallet racking are not required, SSI SCHAEFER's longspan racking systems easily handle your individual needs for optimized storage technology while creating extensive warehousing space with only a small footprint. In particular, they simplify the storage of bulky goods.

i Information regarding **inspection requirements**
for **rack systems**

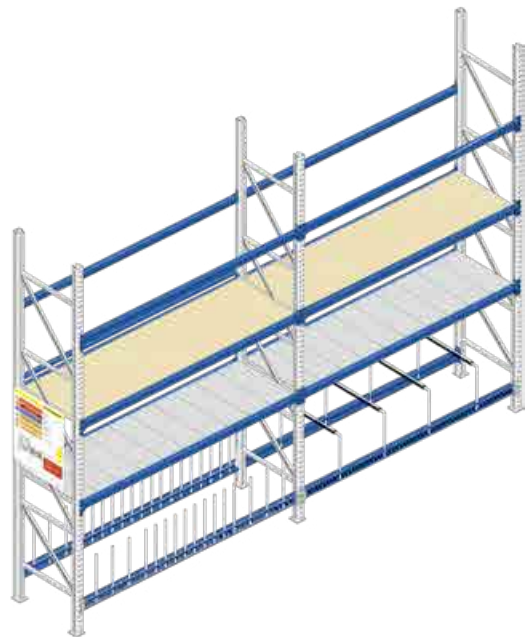
Chapter **J**, page **J1**





WR 3000 longspan racking

page C4



WR 600 longspan racking

page C8

Boxes / containers

Modular shelving

Longspan racking

Pallet racking

Cantilever racking

Mezzanines / platforms

On-line shelving / KDR shelving

Semi-automated solutions

Logistics systems

Appendix

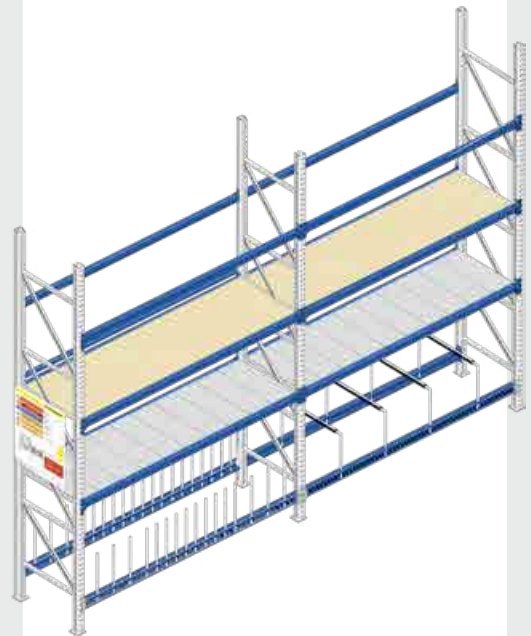


Overview of longspan racking systems

	WR 3000 longspan racking	WR 600 longspan racking
Areas of use	Storage of large, light and medium weight goods.	Storage of large and heavy goods.
Advantages	<ul style="list-style-type: none"> ▶ Easy to assemble ▶ Flexibility due to quick adjustment ▶ Expandable with components from the R 3000 modular shelving 	<ul style="list-style-type: none"> ▶ Extensive compartment equipment ▶ Covers diverse areas of application ▶ Expandable at any time
System	▶ Frame system with plug-in design for rapid assembly	▶ Frame system with plug-in design for rapid assembly
Design	▶ Frame system, 4 bay widths, 4 rack depths, various construction heights	▶ Frame system, 4 bay widths, 4 rack depths, various construction heights
Load-bearing capacity	▶ Up to max. 2,000 kg per rack bay	▶ Up to max. 3,500 kg per rack bay
System layout	▶ 53 mm adjustment steps	▶ 50 mm adjustment steps
Frame surface	▶ Galvanized	▶ Galvanized
Beam surface	▶ Galvanized	▶ Galvanized/painted with RAL 5010



C4



C8

from pages

Boxes /
containers

Modular
shelving

Longspan
racking

Pallet
racking

Cantilever
racking

Mezzanines /
platforms

On-line shelving /
KDT shelving

Semi-automated
solutions

Logistics
systems

Appendix

WR 3000 upright frame and accessories

Upright frame

The upright profiles are made from cold-rolled, high-strength, galvanized steel and are connected by horizontal steel braces to create a stable frame.



Frame height 1,960 mm

Item	Frame depth (mm)	Order no.
RR 34319-V-M	400	6671806
RR 35319-V-M	500	6671807
RR 36319-V-M	600	6671808
RR 38319-V-M	800	6671809

Frame height 2,278 mm

Item	Frame depth (mm)	Order no.
RR 34322-V-M	400	6671816
RR 35322-V-M	500	6671817
RR 36322-V-M	600	6671818
RR 38322-V-M	800	6671819

Frame height 2,490 mm

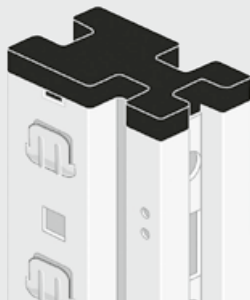
Item	Frame depth (mm)	Order no.
RR 34325-V-M	400	6671821
RR 35325-V-M	500	6671822
RR 36325-V-M	600	6671823
RR 38325-V-M	800	6671824

Frame height 2,967 mm

Item	Frame depth (mm)	Order no.
RR 34530-V-M	400	6671841
RR 35530-V-M	500	6671842
RR 36530-V-M	600	6671843
RR 38530-V-M	800	6671844

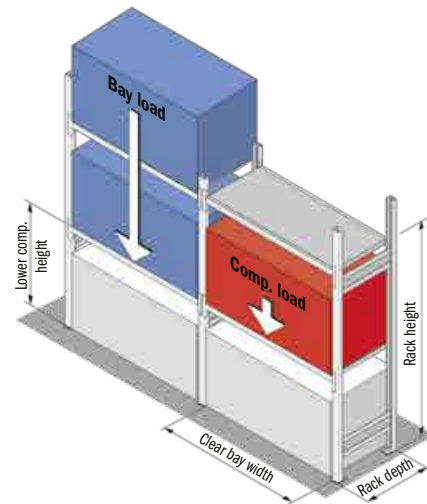
End cap

High-quality black plastic. Attached to the rack frames as an end piece.



Item	Order no.
AK 3000	147130

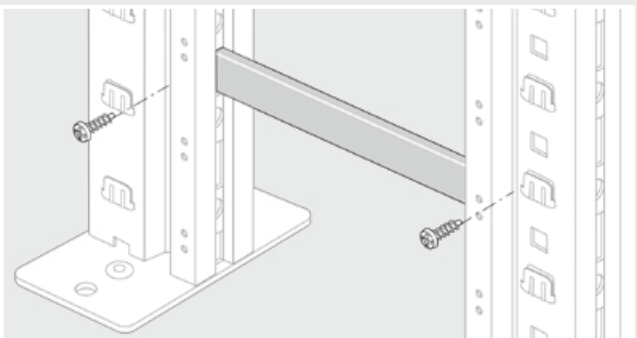
- **High load capacity**
of up to 2,000 kg per frame
- **Large shelf compartment**
for large-volume goods, consisting of rack frame, longitudinal beams and shelves
- **Expansion system**
3 bay widths, 4 rack depths, various construction heights
- **System hole pattern**
with adjustment spacing 53 : 53 mm
- **Extensive accessories**
compatible with R 3000 modular shelvings (chapter B)



► Load-bearing capacity of the frame

Rack height	1,960 mm	2,278 mm	2,490 mm	2,967 mm
Bay width	Frame load capacity			
1,988 mm	1,600 kg	1,600 kg	1,600 kg	2,000 kg
2,276 mm	1,500 kg	1,500 kg	1,500 kg	2,000 kg
2,564 mm	1,250 kg	1,250 kg	1,250 kg	1,800 kg

Condition: max. height of lower compartment 200 mm,
max. compartment height 600 mm



Frame connector

Sheet steel, galvanized. For connecting 2 rack bays back-to-back in a row. Incl. fixing kit.

Item	Frame distance (mm)	Order no.
RV 3030	30	147090
RV 3050	50	147100
RV 3100	100	147110
RV 3300	300	147120

Order no. = on stock



GALVANIZED



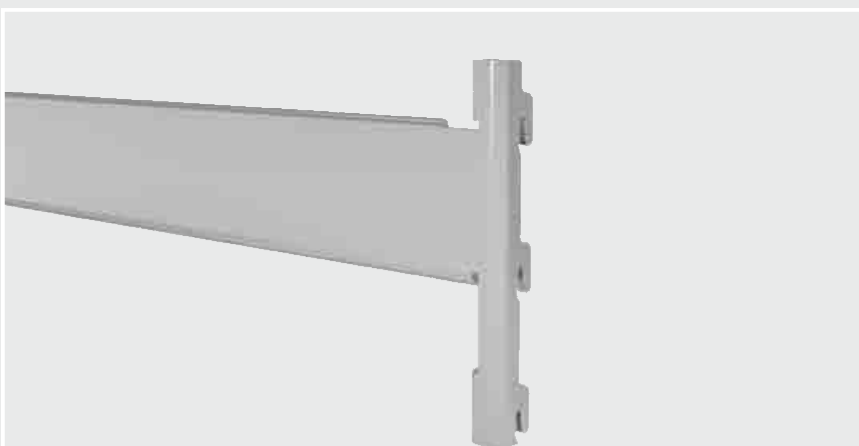
WR 3000 accessories



Shelves

Sheet steel, galvanized. The load values apply only in combination with longitudinal beams.

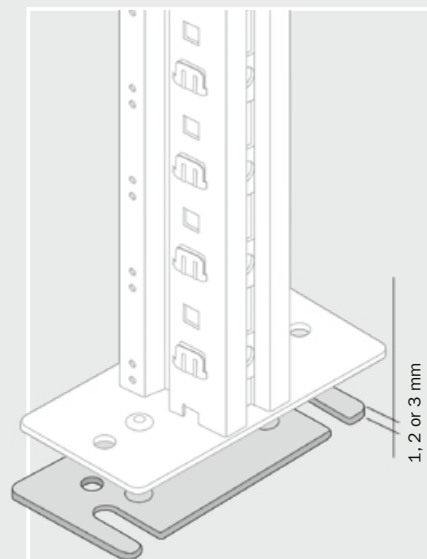
Item	Frame depth (mm)	Clear bay width (mm)	Max. load per shelf (kg)	Order no.
ZB 341010 V	400	994	200	145510
ZB 341315 V		1,282	200	145540
ZB 351010 V	500	994	200	145520
ZB 351315 V		1,282	200	145550
ZB 361010 V	600	994	200	145530
ZB 331315 V		1,282	200	145560
ZB 381020 V	800	994	200	145600
ZB 381325 V		1,282	200	145630



Longitudinal beams

Sheet steel, galvanized.

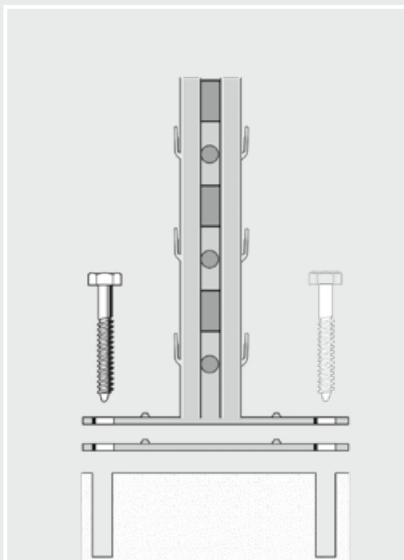
Item	Clear bay width (mm)	Max. load per compartment (kg)	Order no.
WR-LTR 3206 V	1,994	400	6670756
WR-LTR 3236 V	2,282	400	6670757
WR-LTR 3256 V	2,570	400	6670758



Shim plates

Sheet steel, galvanized. To compensate for slightly uneven ground surfaces.

Item	Thickness (mm)	Order no.
UP3001-V	1	6671710
UP3002-V	2	6671711
UP3003-V	3	6671712



Floor fixing

Screw anchor for anchoring the racks to the floor.

Item	Order no.
HUS3-H6x60	6671728

Boxes / containers

Modular shelving

Longspan racking

Pallet racking

Cantilever racking

Mezzanines / platforms

On-line shelving / KDR shelving

Semi-automated solutions

Logistics systems

Appendix

WR 3000 individual racking



Complete WR 3000 rack bays with 3 compartment levels 1,960 mm high (Starter bays)

2 pre-assembled frames, 6 longitudinal beams, 6 shelves.

Item	Usable depth (mm)	Clear bay width (mm)	Max. load per bay (kg)	Order no.
WR 34319203 G	400	1,994	1,600	6670683
WR 34319233 G		2,282	1,500	6670699
WR 34319253 G		2,570	1,250	6670715
WR 35319203 G	500	1,994	1,600	6670684
WR 35319233 G		2,282	1,500	6670700
WR 35319253 G		2,570	1,250	6670716
WR 36319203 G	600	1,994	1,600	6670685
WR 36319233 G		2,282	1,500	6670701
WR 36319253 G		2,570	1,250	6670717
WR 38319203 G	800	1,994	1,600	6670686
WR 38319233 G		2,282	1,500	6670702
WR 38319253 G		2,570	1,250	6670718

Expansion bays

1 pre-assembled frame, 6 longitudinal beams, 6 shelves.

Item	Usable depth (mm)	Clear bay width (mm)	Max. load per bay (kg)	Order no.
WR 34319203 A	400	1,994	1,600	6670731
WR 34319233 A		2,282	1,500	6670747
WR 34319253 A		2,570	1,250	6670832
WR 35319203 A	500	1,994	1,600	6670732
WR 35319233 A		2,282	1,500	6670748
WR 35319253 A		2,570	1,250	6670833
WR 36319203 A	600	1,994	1,600	6670733
WR 36319233 A		2,282	1,500	6670749
WR 36319253 A		2,570	1,250	6670834
WR 38319203 A	800	1,994	1,600	6670734
WR 38319233 A		2,282	1,500	6670750
WR 38319253 A		2,570	1,250	6670835

Additional compartment levels

2 longitudinal beams, 2 shelves.

Item	Usable depth (mm)	Clear bay width (mm)	Max. load per comp. (kg)	Order no.
WR-ZE 3420	400	1,994	400	6670798
WR-ZE 3423		2,282	400	6670802
WR-ZE 3425		2,570	400	6670806
WR-ZE 3520	500	1,994	400	6670799
WR-ZE 3523		2,282	400	6670803
WR-ZE 3525		2,570	400	6670807
WR-ZE 3620	600	1,994	400	6670800
WR-ZE 3623		2,282	400	6670804
WR-ZE 3625		2,570	400	6670808
WR-ZE 3820	800	1,994	400	6670801
WR-ZE 3823		2,282	400	6670805
WR-ZE 3825		2,570	400	6670809



Complete WR 3000 rack bays with 3 compartment levels 2,278 mm high (Starter bays)

2 pre-assembled frames, 6 longitudinal beams, 6 shelves.

Item	Usable depth (mm)	Clear bay width (mm)	Max. load per bay (kg)	Order no.
WR 34322203 G	400	1,994	1,600	6670687
WR 34322233 G		2,282	1,500	6670703
WR 34322253 G		2,570	1,250	6670719
WR 35322203 G	500	1,994	1,600	6670688
WR 35322233 G		2,282	1,500	6670704
WR 35322253 G		2,570	1,250	6670720
WR 36322203 G	600	1,994	1,600	6670689
WR 36322233 G		2,282	1,500	6670705
WR 36322253 G		2,570	1,250	6670721
WR 38322203 G	800	1,994	1,600	6670690
WR 38322233 G		2,282	1,500	6670706
WR 38322253 G		2,570	1,250	6670722

Expansion bays

1 pre-assembled frame, 6 longitudinal beams, 6 shelves.

Item	Usable depth (mm)	Clear bay width (mm)	Max. load per bay (kg)	Order no.
WR 34322203 A	400	1,994	1,600	6670735
WR 34322233 A		2,282	1,500	6670751
WR 34322253 A		2,570	1,250	6670836
WR 35322203 A	500	1,994	1,600	6670736
WR 35322233 A		2,282	1,500	6670752
WR 35322253 A		2,570	1,250	6670837
WR 36322203 A	600	1,994	1,600	6670737
WR 36322233 A		2,282	1,500	6670753
WR 36322253 A		2,570	1,250	6670838
WR 38322203 A	800	1,994	1,600	6670738
WR 38322233 A		2,282	1,500	6670754
WR 38322253 A		2,570	1,250	6670839

Additional compartment levels

2 longitudinal beams, 2 shelves.

Item	Usable depth (mm)	Clear bay width (mm)	Max. load per comp. (kg)	Order no.
WR-ZE 3420	400	1,994	400	6670798
WR-ZE 3423		2,282	400	6670802
WR-ZE 3425		2,570	400	6670806
WR-ZE 3520	500	1,994	400	6670799
WR-ZE 3523		2,282	400	6670803
WR-ZE 3525		2,570	400	6670807
WR-ZE 3620	600	1,994	400	6670800
WR-ZE 3623		2,282	400	6670804
WR-ZE 3625		2,570	400	6670808
WR-ZE 3820	800	1,994	400	6670801
WR-ZE 3823		2,282	400	6670805
WR-ZE 3825		2,570	400	6670809

Order no. = on stock

WR 3000 individual racking



Complete WR 3000 rack bays with 4 compartment levels 2,490 mm high (Starter bays)

2 pre-assembled frames, 8 longitudinal beams, 8 shelves.

Item	Usable depth (mm)	Clear bay width (mm)	Max. load per bay (kg)	Order no.
WR 34325204 G	400	1,994	1,600	6670691
WR 34325234 G		2,282	1,500	6670707
WR 34325254 G		2,570	1,250	6670723
WR 35325204 G	500	1,994	1,600	6670692
WR 35325234 G		2,282	1,500	6670708
WR 35325254 G		2,570	1,250	6670724
WR 36325204 G	600	1,994	1,600	6670693
WR 36325234 G		2,282	1,500	6670709
WR 36325254 G		2,570	1,250	6670725
WR 38325204 G	800	1,994	1,600	6670694
WR 38325234 G		2,282	1,500	6670710
WR 38325254 G		2,570	1,250	6670726

Expansion bays

1 pre-assembled frame, 8 longitudinal beams, 8 shelves.

Item	Usable depth (mm)	Clear bay width (mm)	Max. load per bay (kg)	Order no.
WR 34325204 A	400	1,994	1,600	6670739
WR 34325234 A		2,282	1,500	6670824
WR 34325254 A		2,570	1,250	6670840
WR 35325204 A	500	1,994	1,600	6670740
WR 35325234 A		2,282	1,500	6670825
WR 35325254 A		2,570	1,250	6670841
WR 36325204 A	600	1,994	1,600	6670741
WR 36325234 A		2,282	1,500	6670826
WR 36325254 A		2,570	1,250	6670842
WR 38325204 A	800	1,994	1,600	6670742
WR 38325234 A		2,282	1,500	6670827
WR 38325254 A		2,570	1,250	6670843

Additional compartment levels

2 longitudinal beams, 2 shelves.

Item	Usable depth (mm)	Clear bay width (mm)	Max. load per comp. (kg)	Order no.
WR-ZE 3420	400	1,994	400	6670798
WR-ZE 3423		2,282	400	6670802
WR-ZE 3425		2,570	400	6670806
WR-ZE 3520	500	1,994	400	6670799
WR-ZE 3523		2,282	400	6670803
WR-ZE 3525		2,570	400	6670807
WR-ZE 3620	600	1,994	400	6670800
WR-ZE 3623		2,282	400	6670804
WR-ZE 3625		2,570	400	6670808
WR-ZE 3820	800	1,994	400	6670801
WR-ZE 3823		2,282	400	6670805
WR-ZE 3825		2,570	400	6670809



Complete WR 3000 rack bays with 5 compartment levels 2,967 mm high (Starter bays)

2 pre-assembled frames, 10 longitudinal beams, 10 shelves.

Item	Usable depth (mm)	Clear bay width (mm)	Max. load per bay (kg)	Order no.
WR 34530205 G	400	1,994	2,000	6670695
WR 34530235 G		2,282	2,000	6670711
WR 34530255 G		2,570	1,800	6670727
WR 35530205 G	500	1,994	2,000	6670696
WR 35530235 G		2,282	2,000	6670712
WR 35530255 G		2,570	1,800	6670728
WR 36530205 G	600	1,994	2,000	6670697
WR 36530235 G		2,282	2,000	6670713
WR 36530255 G		2,570	1,800	6670729
WR 38530205 G	800	1,994	2,000	6670698
WR 38530235 G		2,282	2,000	6670714
WR 38530255 G		2,570	1,800	6670730

Expansion bays

1 pre-assembled frame, 10 longitudinal beams, 10 shelves.

Item	Usable depth (mm)	Clear bay width (mm)	Max. load per bay (kg)	Order no.
WR 34530205 A	400	1,994	2,000	6670743
WR 34530235 A		2,282	2,000	6670828
WR 34530255 A		2,570	1,800	6670844
WR 35530205 A	500	1,994	2,000	6670744
WR 35530235 A		2,282	2,000	6670829
WR 35530255 A		2,570	1,800	6670845
WR 36530205 A	600	1,994	2,000	6670745
WR 36530235 A		2,282	2,000	6670830
WR 36530255 A		2,570	1,800	6670846
WR 38530205 A	800	1,994	2,000	6670746
WR 38530235 A		2,282	2,000	6670831
WR 38530255 A		2,570	1,800	6670847

Additional compartment levels

2 longitudinal beams, 2 shelves.

Item	Usable depth (mm)	Clear bay width (mm)	Max. load per comp. (kg)	Order no.
WR-ZE 3420	400	1,994	400	6670798
WR-ZE 3423		2,282	400	6670802
WR-ZE 3425		2,570	400	6670806
WR-ZE 3520	500	1,994	400	6670799
WR-ZE 3523		2,282	400	6670803
WR-ZE 3525		2,570	400	6670807
WR-ZE 3620	600	1,994	400	6670800
WR-ZE 3623		2,282	400	6670804
WR-ZE 3625		2,570	400	6670808
WR-ZE 3820	800	1,994	400	6670801
WR-ZE 3823		2,282	400	6670805
WR-ZE 3825		2,570	400	6670809

Boxes / containers

Modular shelving

Longspan racking

Pallet racking

Cantilever racking

Mezzanines / platforms

On-line shelving / KDF shelving

Semi-automated solutions

Logistics systems

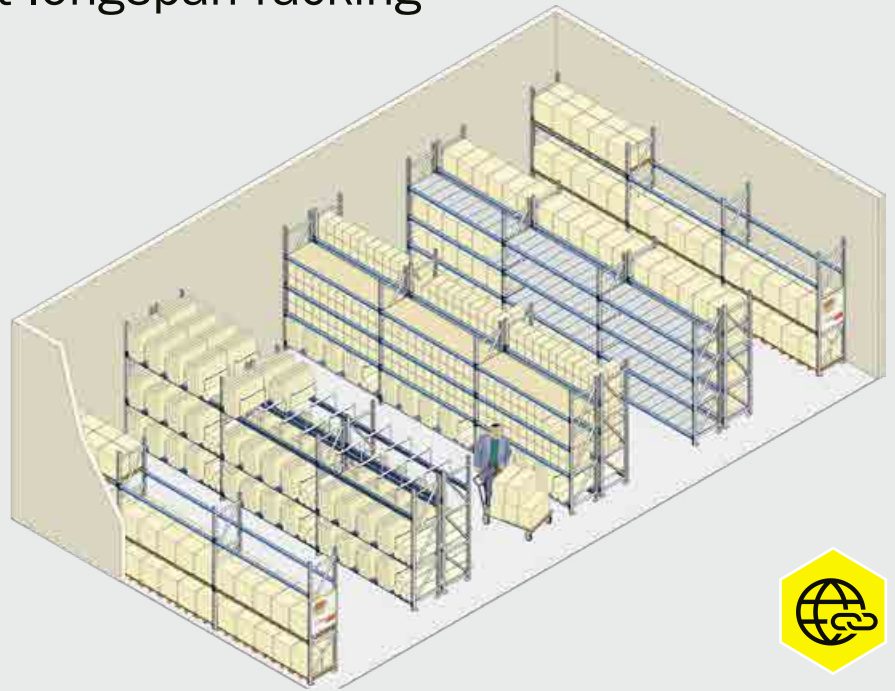
Appendix

WR 600 – the perfect longspan racking

The flexible WR 600 longspan racking system with 50 : 50 mm system hole pattern handles all storage material location and warehousing tasks.

The frame construction with supporting profiles with three heights and four depths, three different beam types with four lengths allows you to freely configure the rack bays.

Standardized components allow a multi-tier installation. This also enables the construction of platforms.

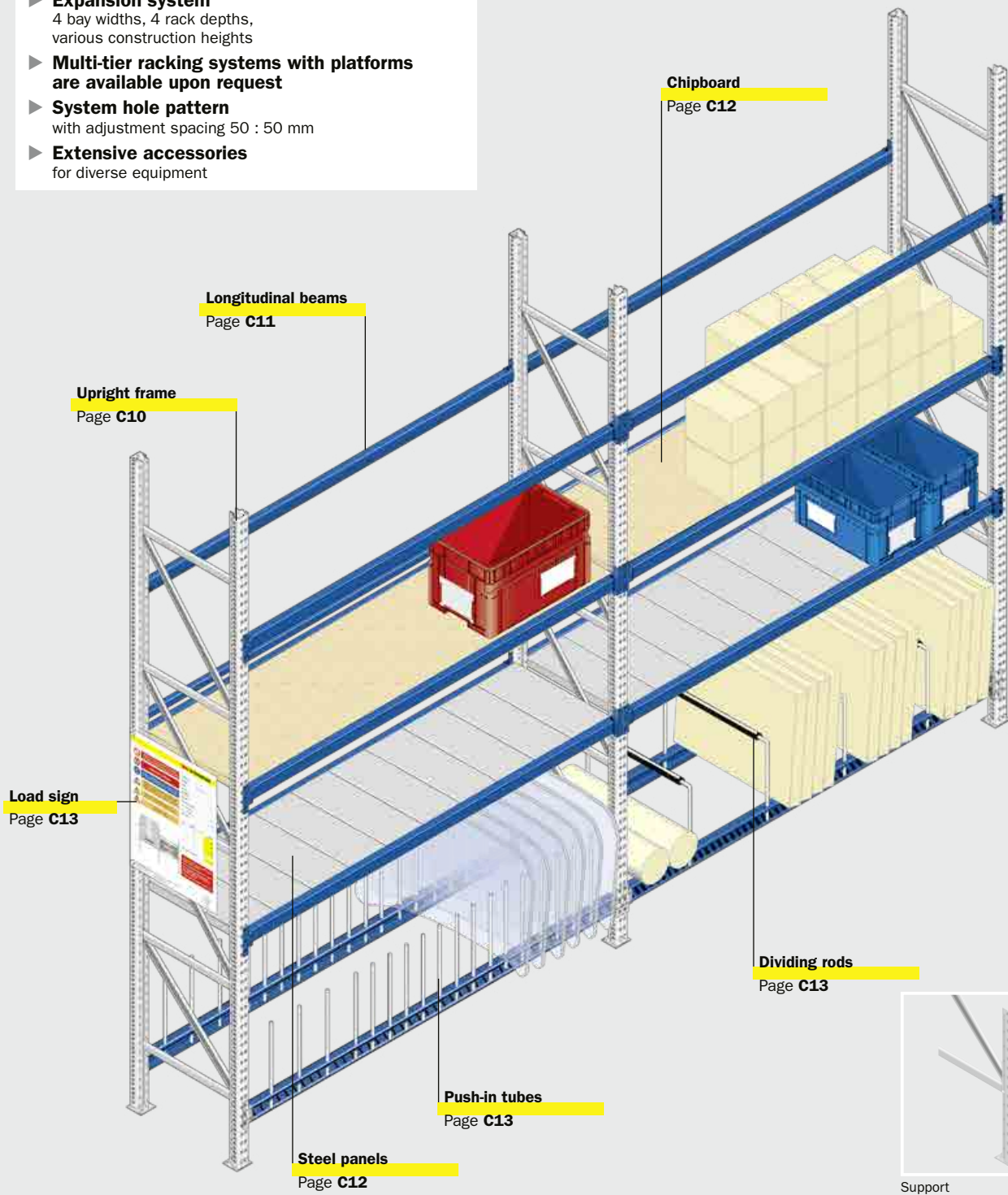


GALVANIZED DUST GRAY GENTIAN BLUE



- ▶ **High load capacity**
of up to 3,500 kg per frame
- ▶ **Large shelf**
for large-volume goods, consisting of a rack frame with bolted horizontal and diagonal braces as well as 3 different types of beams
- ▶ **Expansion system**
4 bay widths, 4 rack depths, various construction heights
- ▶ **Multi-tier racking systems with platforms are available upon request**
- ▶ **System hole pattern**
with adjustment spacing 50 : 50 mm
- ▶ **Extensive accessories**
for diverse equipment

WR 600 system design



Load sign



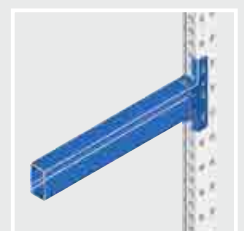
Steel panels, inserted



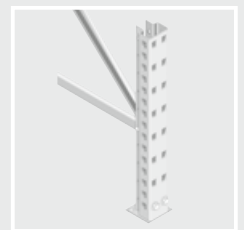
Chipboard, inserted



Dividing rods



Longitudinal beam



Support

Boxes / containers

Modular shelving

Longspan racking

Pallet racking

Cantilever racking

Mezzanines / platforms

On-line shelving / KDR shelving

Semi-automated solutions

Logistics systems

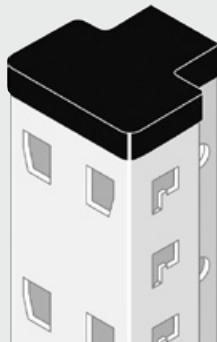
Appendix

WR 600 upright frame and accessories



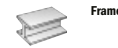
End caps

High-quality black plastic. Attached to the rack frames as an end piece.



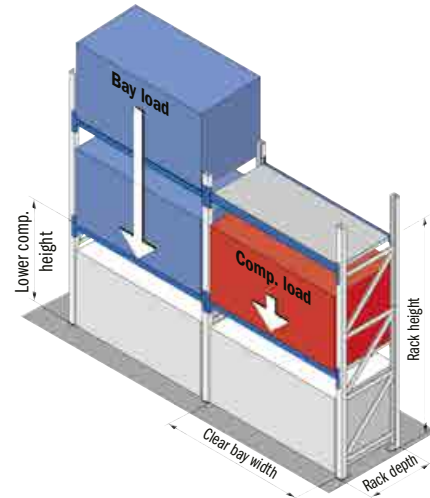
Item	Order no.
K-AKP 1	472650

GALVANIZED



► Load capacity of the frame

The permissible load bearing capacity of the frame depends on the compartment height and the planned beam profile. The specified values apply for racks with at least 2 pairs of longitudinal beams per rack bay and rack rows with at least 5 rack bays.

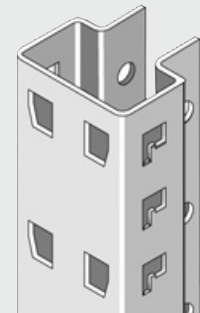


Compartment height	Frame load capacity
500 mm	3,500 kg
750 mm	3,000 kg
1,000 mm	2,700 kg
1,250 mm	2,300 kg
1,500 mm	1,800 kg

Upright frame

The upright profiles are made from cold rolled, high-strength, galvanized steel bolted together with horizontal and diagonal struts to create a stable frame.

Delivered unassembled.



Frame height 2,200 mm

Item	Frame depth (mm)	Order no.
R 61225	500	464500
R 61226	600	464530
R 61228	800	464560
R 61221	1,050	464590

Frame height 2,500 mm

Item	Frame depth (mm)	Order no.
R 61255	500	464510
R 61256	600	464540
R 61258	800	464570
R 61251	1,050	464600

Frame height 3,000 mm

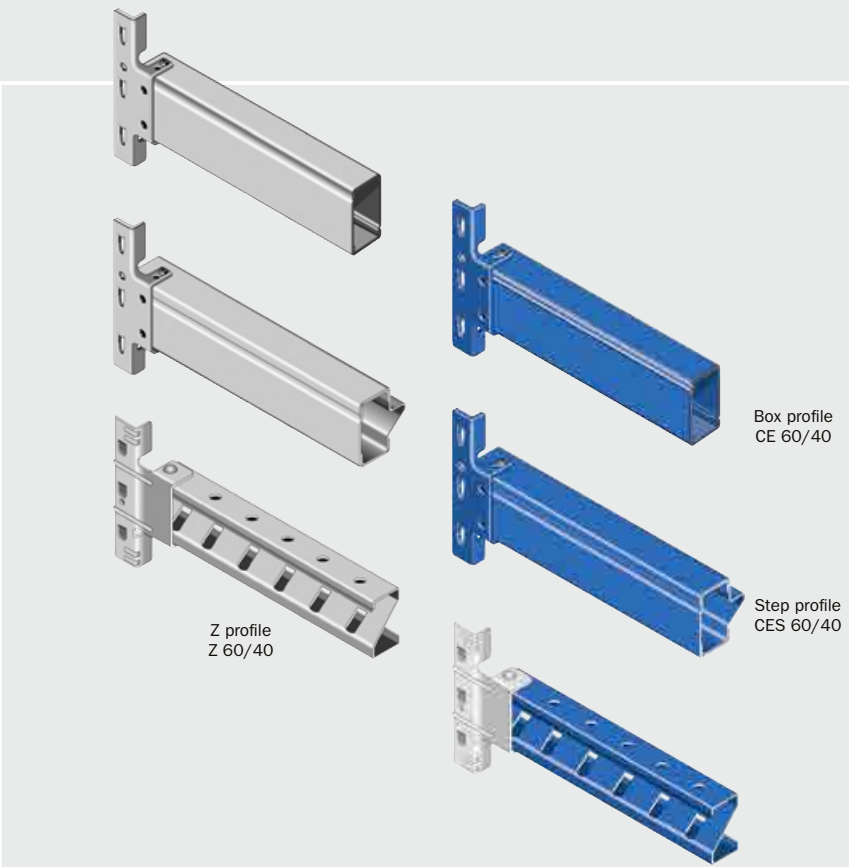
Item	Frame depth (mm)	Order no.
R 61305	500	464520
R 61306	600	464550
R 61308	800	464580
R 61301	1,050	464610

Order no. = on stock



i Compatible with PR 600 pallet racking
Chapter D, from page D8

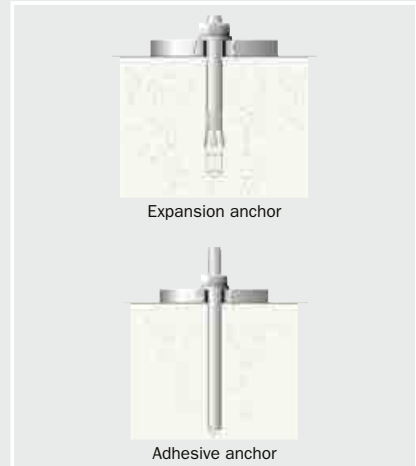
Longitudinal beams and accessories WR 600



Longitudinal beams

3-hook rear lips, guarantee an interlocking connection with the rack supports. Two retaining pins (included) per section are required to prevent unintentional removal.
Surface galvanized or painted (Gentian Blue, RAL 5010).

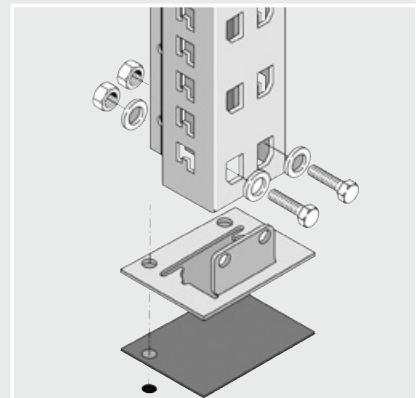
Item	Beam length (mm)	Load capacity per pair (kg)	PU	Order no.
Longitudinal beam box profile CE 60/40				
TR4-150-064-25CE	1,500	600	1	151760 –
TR4-180-064-25CE	1,800	600	1	151770 –
TR4-220-064-30CE	2,200	600	1	151820 –
TR4-270-064-30CE	2,700	600	1	151830 –
TR4-150-064-25CEL	1,500	600	1	– 151761
TR4-180-064-25CEL	1,800	600	1	– 151771
TR4-220-064-30CEL	2,200	600	1	– 151821
TR4-270-064-30CEL	2,700	600	1	– 151831
Longitudinal beam step profile CES 60/40				
TR4-150-064-25S	1,500	600	1	151840 –
TR4-180-064-25S	1,800	600	1	151850 –
TR4-220-064-30S	2,200	600	1	151900 –
TR4-270-064-30S	2,700	600	1	151910 –
TR4-150-064-25SL	1,500	600	1	– 151841
TR4-180-064-25SL	1,800	600	1	– 151851
TR4-220-064-30SL	2,200	600	1	– 151901
TR4-270-064-30SL	2,700	600	1	– 151911
Longitudinal beam Z profile Z 60/40				
TR 1506 Z-V	1,500	450	1	124730 –
TR 1806 Z-V	1,800	400	1	124740 –
TR 2206 Z-V	2,200	350	1	124750 –
TR 2706 Z-V	2,700	200	1	124760 –
TR 1506 Z-G	1,500	450	1	– 129440
TR 1806 Z-G	1,800	400	1	– 129450
TR 2206 Z-G	2,200	350	1	– 129460
TR 2706 Z-G	2,700	200	1	– 129470



Floor anchors

The frame needs to be anchored in order to ensure the stability of the longspan racking. M10 expansion anchors are used for a normal C20/25 concrete floor; M10 adhesive anchors are used for floors containing magnesium.

Item		Order no.
BA 10 SL	Expansion anchor M 10	67030
BA 10 VA	Adhesive anchor M 10	67390



Base shims

To compensate for uneven ground, galvanized.

Item	Thickness (mm)	Order no.
AP 60.51	1	143500
AP 60.52	2	143510

Insulation plates

When installing racks on floors containing magnesium, plastic insulation plates are required for every rack support to prevent corrosion.

Item	Thickness (mm)	Order no.
IP 60.51	1	155250

Boxes / containers
Modular shelving
Longspan racking
Pallet racking
Cantilever racking
Mezzanines / platforms
On-line shelving / KDR shelving
Semi-automated solutions
Logistics systems
Appendix



Compartment covers and panels WR 600

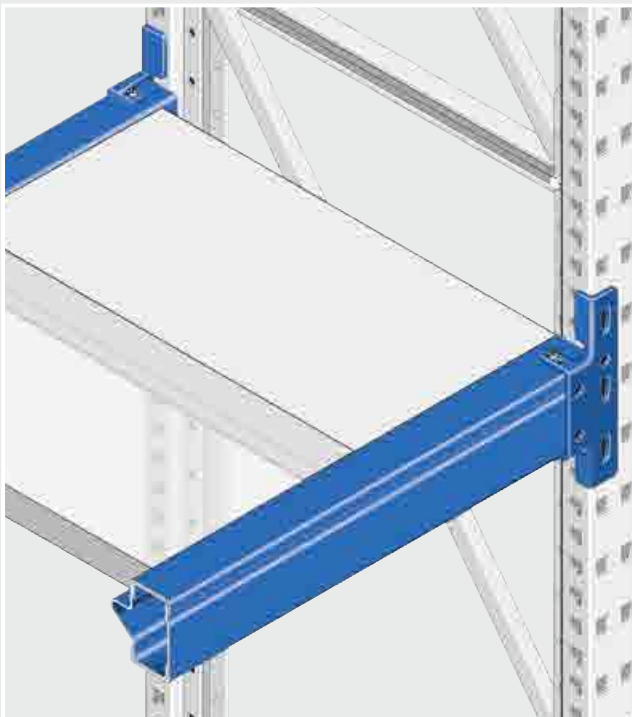


Chipboard panels for longitudinal beams with step profile

Bin covers made of chipboard are inserted between the longitudinal beams. Quality: 22 mm, normal density.

The specified loads apply for uniformly distributed loads.

Item	Frame depth (mm)	Beam length (mm)	Compartment load (kg)	Order no.
FSS 15-050-22-NA	500	1,500	560	329600
FSS 18-050-22-NA		1,800	600	329640
FSS 22-050-22-NA		2,200	600	329680
FSS 27-050-22-NA		2,700	600	329720
FSS 15-060-22-NA	600	1,500	370	329610
FSS 18-060-22-NA		1,800	440	329650
FSS 22-060-22-NA		2,200	540	329690
FSS 27-060-22-NA		2,700	600	329730
FSS 15-080-22-NA	800	1,500	190	329620
FSS 18-080-22-NA		1,800	230	329660
FSS 22-080-22-NA		2,200	280	329700
FSS 27-080-22-NA		2,700	350	329740
FSS 15-105-22-NA	1,050	1,500	100	329630
FSS 18-105-22-NA		1,800	130	329670
FSS 22-105-22-NA		2,200	150	329710
FSS 27-105-22-NA		2,700	190	329750



Steel panels for longitudinal beams with step profile

Steel panels made of sendzimir galvanized sheet steel, 200 or 300 mm wide, can be inserted into the longitudinal beams with a step profile.

The capacity per panel is 150 kg uniformly distributed load.

Complete panel sets – for 200 mm and 300 mm panels

Item	Frame depth (mm)	Beam length (mm)	Order no.
FPS-15050	500	1,500	109701
FPS-18050		1,800	109711
FPS-22050		2,200	109721
FPS-27050		2,700	109731
FPS-15060	600	1,500	109741
FPS-18060		1,800	109751
FPS-22060		2,200	109761
FPS-27060		2,700	109771
FPS-15080	800	1,500	109781
FPS-18080		1,800	109791
FPS-22080		2,200	109801
FPS-27080		2,700	109811
FPS-15105	1,050	1,500	109821
FPS-18105		1,800	109831
FPS-22105		2,200	109841
FPS-27105		2,700	109851

Single steel panels – panel width 200 mm

Item	Frame depth (mm)	Order no.
FPS 20-050-22-20A	500	329760
FPS 20-060-22-20A	600	329780
FPS 20-080-22-30A	800	329800
FPS 20-105-22-30A	1,050	329820

Single steel panels – panel width 300 mm

Item	Frame depth (mm)	Order no.
FPS 30-050-22-20A	500	329770
FPS 30-060-22-20A	600	329790
FPS 30-080-22-30A	800	329810
FPS 30-105-22-30A	1,050	329830

Order no. = on stock

DUST GRAY



Oil can support
Drum support

GALVANIZED



Compartment divider
Dividing rods
Push-in tubes

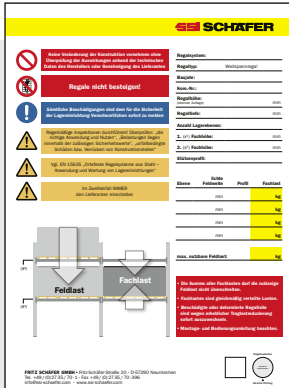
GENTIAN BLUE



Spacers

Mandatory labeling

The regulations of the trade associations demand labeling of rack facilities with all the necessary load specifications



Load signs

Item	Width (mm)	Height (mm)	Order no.
Made of aluminum, incl. fixing kit			
LSTS 7050	450	600	on req.*
Made from PVC-adhesive film (not shown)			
TS 0615	60	150	on req.*

* The technical data is defined via a time sheet. It is offered and invoiced as part of the price of the sign.

Storage labeling and safety accessories from p. D16



Compartment dividers

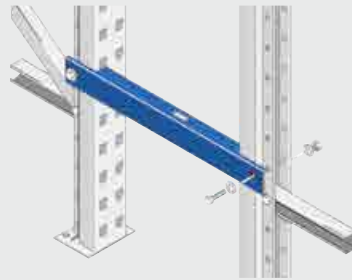
For vert. storage of wooden beams, pipes, etc. Adjustment 50 : 50 mm, galvanized.

Item	Frame depth (mm)	Length (mm)	Order no.
APH 340	500	340	18120
APH 740	800	740	18110

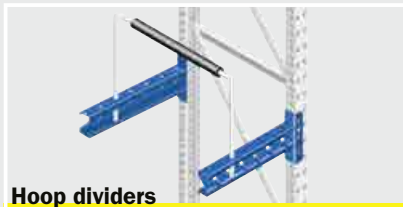
Spacers

Two single-row racks position one behind the other connected with spacers to form double-row racks.

Surface finish: Gentian Blue, RAL 5010.



Item	Distance (mm)	Order no.
D 50 L	50	151060
D 100 L	100	151070
D 150 L	150	151080
D 200 L	200	151090
D 250 L	250	151100
D 300 L	300	151110
D 350 L	350	151120
D 400 L	400	151130
D 450 L	450	151140
D 500 L	500	151150



Hoop dividers

For dividing compartments of Z beams. Adjustment 50 : 50 mm, galvanized.

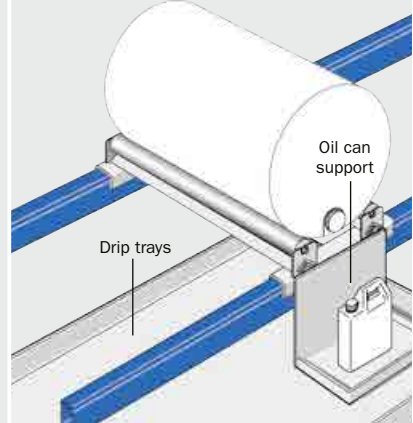
Item	Frame depth (mm)	Order no.
KTB 50	500	159420
KTB 80	800	159430
KTB S	Bracket padding	39640

WR 600 accessories

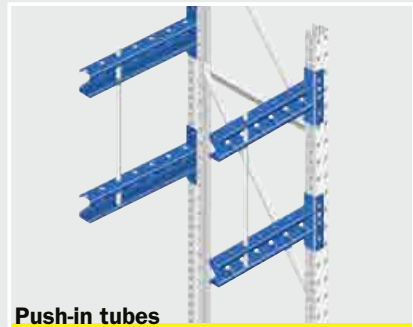
Oil can support

Can be inserted into the front of drum supports, with support surface. Dimensions: 300 x 350 mm.

Surface finish: Dust gray, RAL 7037.



Item	Order no.
KT 30	116570



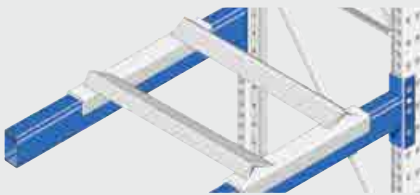
Push-in tubes

For dividing compartments of Z beams. Adjustment 50 : 50 mm, galvanized.

Item	Tube length (mm)	Order no.
KRA 4170	170	159440
KRA 4300	300	159450
KRA 4950	950	159460
KRA 4105	1,050	159470

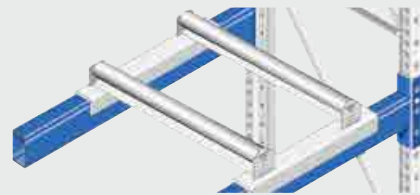
Drum supports

Welded frame made of angled profiles. For rotary drum supports with two ball bearing-mounted, galvanized steel rollers. For fitting on longitudinal beams. Surface finish: Dust gray, RAL 7037. Load capacity 210 kg.



Stationary

Item	Frame depth (mm)	Order no.
FAS 80	800	116900
FAS 105	1,050	116520



Rotatable

Item	Frame depth (mm)	Order no.
FAD 80	800	116910
FAD 105	1,050	116560

Boxes / containers

Modular shelving

Longspan racking

Pallet racking

Cantilever racking

Mezzanines / platforms

On-line shelving / KDR shelving

Semi-automated solutions

Logistics systems

Appendix