

**Front View**

PROPERTIES

Automatic barrier with smartphone control feature

Solar powered

Operating autonomy up to 1 year (rechargeable li-ion batteries)

Automatic closing feature

Manual control possibility

Constant power supply option

TECHNICAL INFORMATION

1. Composition:

- Arch – galvanized, powder coated steel
- Case – galvanized, powder coated steel
- Mechanism assembly – stainless steel
- Base – galvanized steel

2. Battery:

- Rechargeable li-ion batteries
- Single battery pack: 3500 mAh, 7,4 V
- Double battery pack: 7000 mAh, 7.4 V

3. Mains supply:

- Possible – 90-250V – 0.6A – 50/60 Hz

4. Operating parameters:

- Temperature from -20 ° C to + 60 °
- Humidity from 5% to 90%
- Altitude up to 2000m
- Power fluctuations + 20% and -15%

5. Dimensions:

- Barrier closed: 70mm (H) x 331mm (W) x 918mm (L)
- Barrier opened: 517mm(H) x 331mm (W) x 918mm (L)

6. Weight:

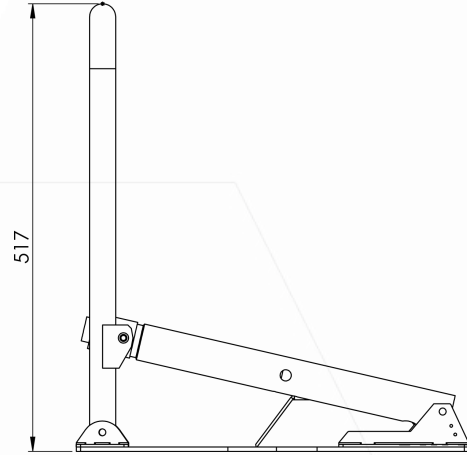
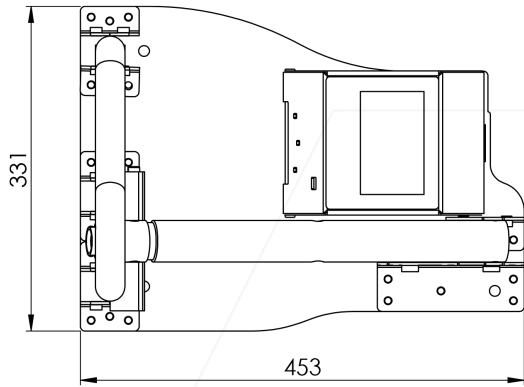
- 15kg



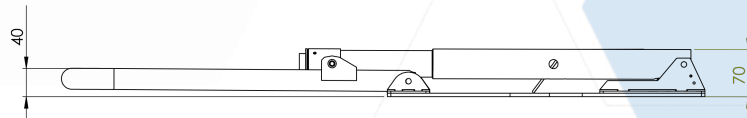
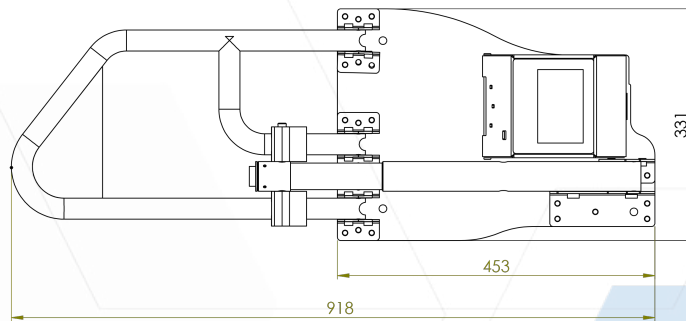
Top View



Arch Closed



Raised Barrier



Lowered Barrier

INSTRUCTIONS AND SUPPORT:

www.parklio.com/support/

APPLICATION DOWNLOAD:

(Android) https://play.google.com/store/apps/details?id=com.parklio.parklio746237&hl=en_US

(Apple) <https://itunes.apple.com/hr/app/parklio/id1316429271?mt=8>